

Arjan End Table

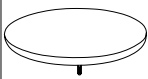

ASSEMBLY INSTRUCTIONS

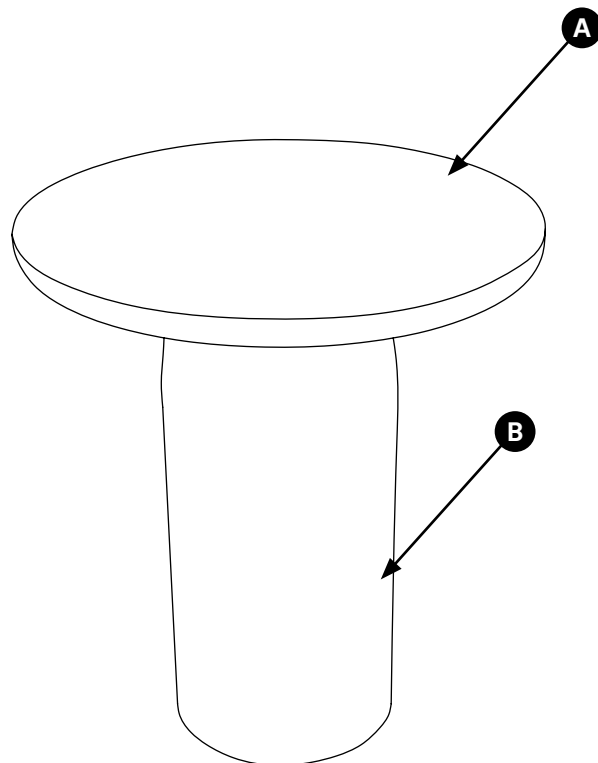
JOON LOLOI

ASSEMBLY INSTRUCTIONS: BEFORE BEGINNING

Read these instructions carefully and keep for future reference. Refer to parts inventory for guidance, and ensure you have all pieces before starting. When assembling, place all parts on a soft, clean, and flat surface such as a carpet to prevent scratches.

1. Carefully unpack and position the item on a clean, non-marring surface to assemble.
2. Read these Assembly Instructions from beginning to end before starting to assemble.
3. Take an inventory of the required parts to ensure all are available.
4. To prevent accidental choking hazards, keep all packing materials away from small children.
5. Only tighten hardware until ALL hardware are fully engaged on their locations. Over tighten bolts will damage the bolt threads.
6. Use only factory provided hardware to assemble. Unapproved hardware can damage product or jeopardize the structural integrity of the product.
7. The use of power tool to assemble is not recommended due to high risk of over-torque, which can damage the product.

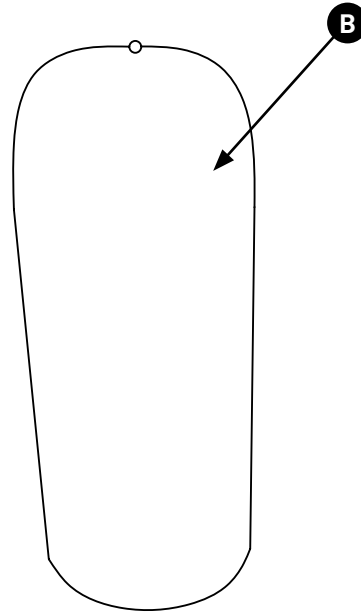
HARDWARE INVENTORY			
ID	IMAGE	DESCRIPTION	QTY
A		TOP	1
B		BASE	1



JOON LOLOI

STEP 1

Place Base (B) right side up so that the side attaching to TOP (A) is visible.



STEP 2

Use the bolt attached to the underside of the TOP (A) to screw into the hole on the top of the BASE (B). Once tightened securely, the assembly is complete.

