

Benicio Console Table

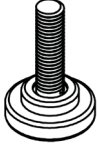
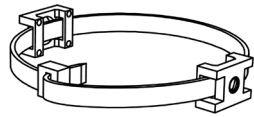
ASSEMBLY INSTRUCTIONS

JOON LOLOI

ASSEMBLY INSTRUCTIONS: STEP 1

Read these instructions carefully and keep for future reference. Refer to parts inventory for guidance, and ensure you have all pieces before starting. When assembling, place all parts on a soft, clean, and flat surface, such as a carpet, to prevent scratches.

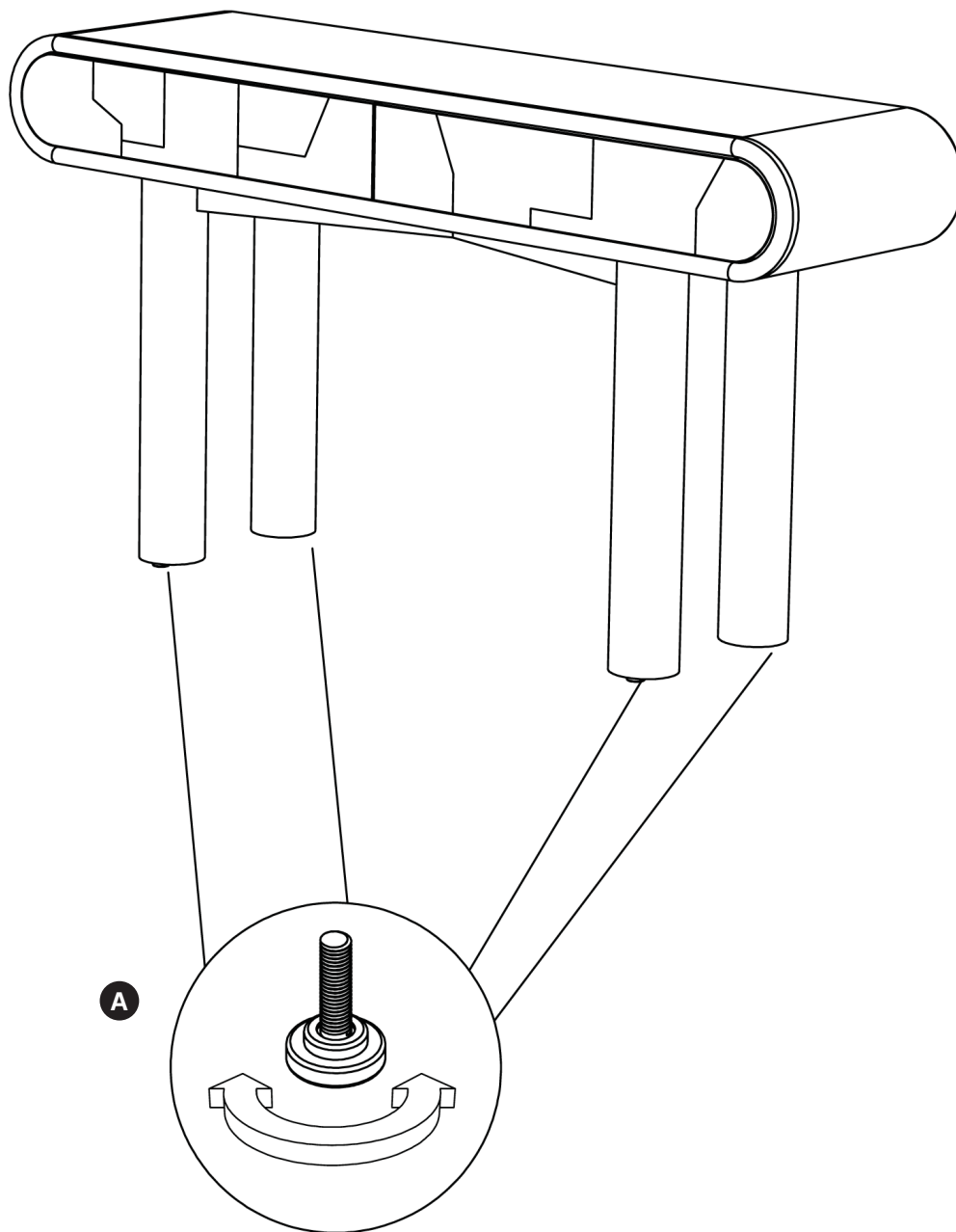
PARTS INVENTORY		
ID	DESCRIPTION	QTY
1	CONSOLE TABLE	1

HARDWARE INVENTORY				
ID	IMAGE	DESCRIPTION	SIZE	QTY
A		LEVELING GUIDE	1/4" x 25mm	4
B		ANTI TIPPING HARDWARE KIT (2 PLASTIC BASE, 1 REUSABLE PLASTIC ZIP, 1 WOOD SCREW #8 X 1 1/4" AND 1 WOOD SCREW #8 X 3/4")	340mm	2

JOON LOLOI

STEP 2

The **LEVELING GLIDES (A)** at the bottom of the Benicio Console Table can move up and down by twisting left or right. This allows the user to level the console table. Adjust levels as needed.

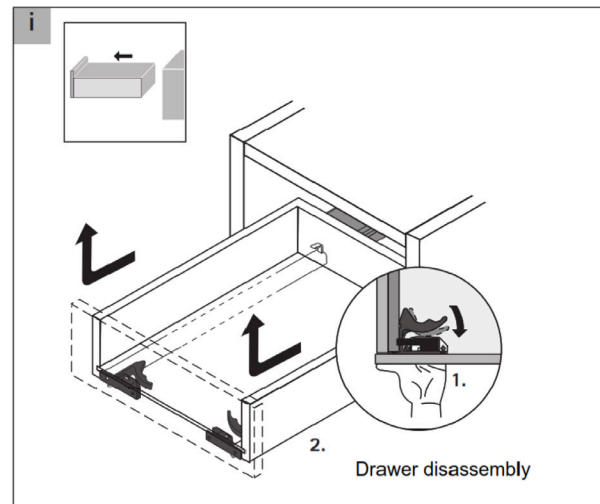
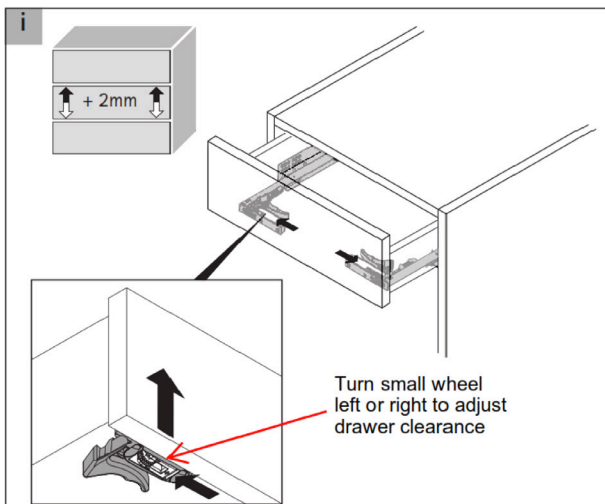
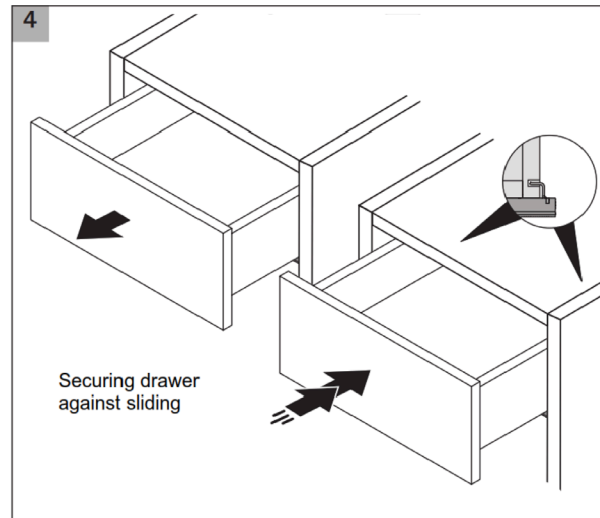
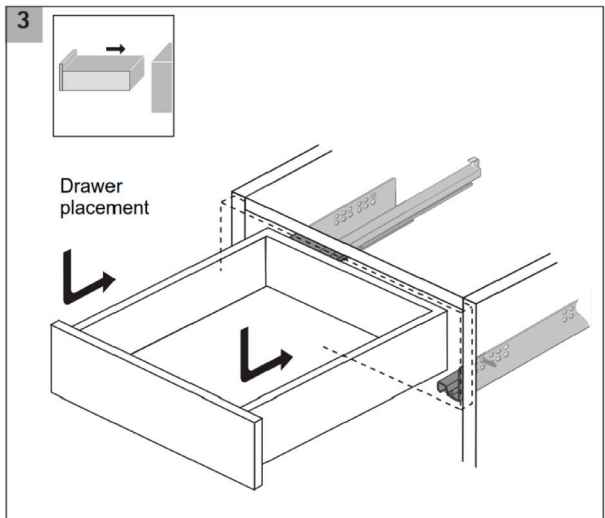
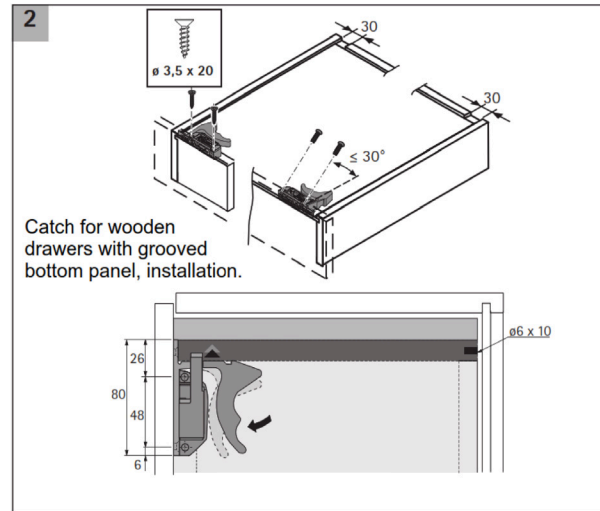
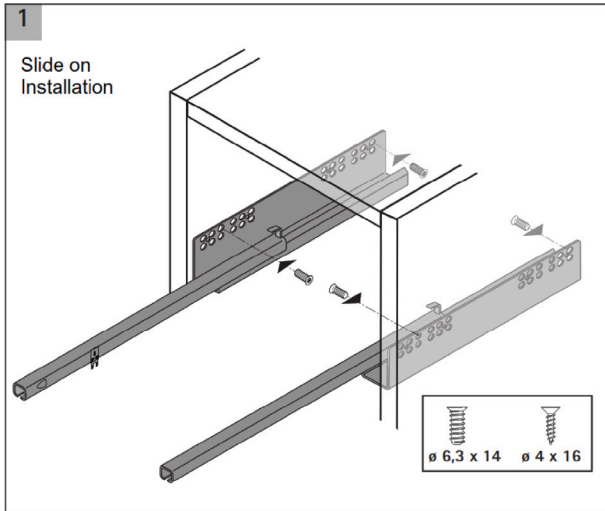


JOON LOLOI

STEP 3

Level slides (if necessary), to adjust the position of the drawer.

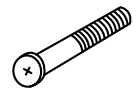
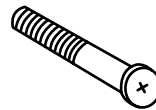
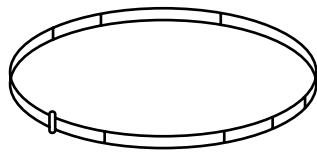
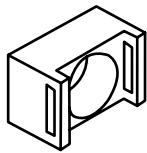
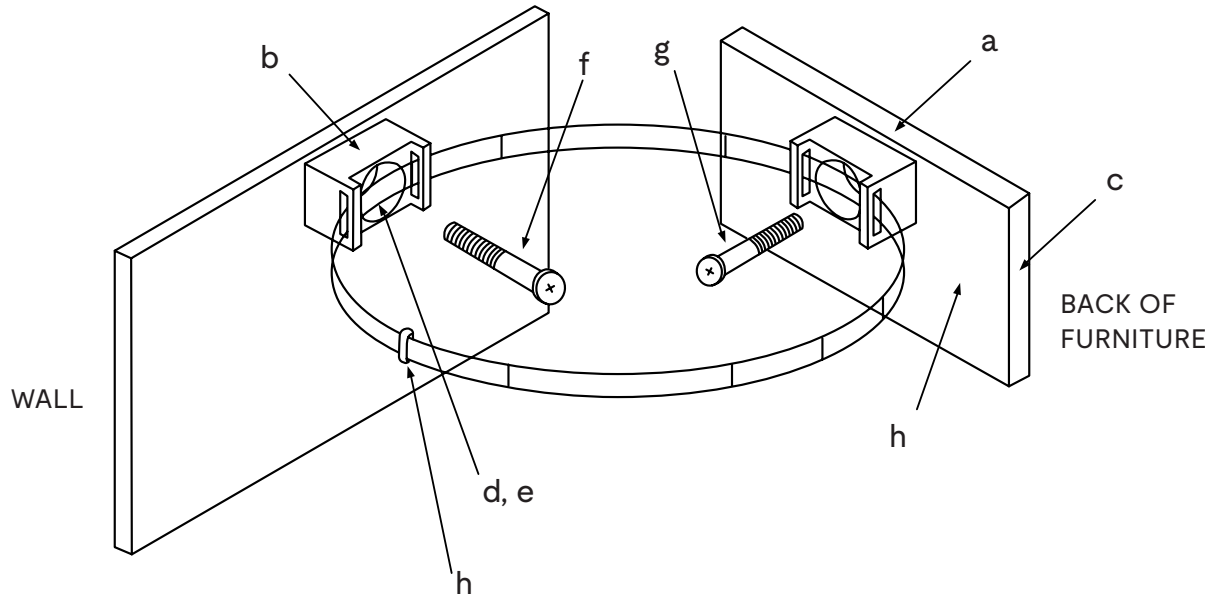
Hidden slide adjustment.



JOON LOLOI

STEP 4

ANTI TIPPING HARDWARE KIT



2 Plastic Base 23 mm x 16 mm

1 Reusable Plastic Zip 8 x 340 mm

1 Wood Screw 8 x 1 1/4" (Large)

1 Wood Screw 8 x 3/4" (Short)

STEPS

- (a) Locate wall studs behind furniture.
- (b) Mark stud locations on wall with corresponding locations at top of furniture.
- (c) Move furniture away from wall.
- (d) Position bracket on stud.
- (e) Drill holes.
- (f) Screw brackets into studs.
- (g) Screw brackets into furniture back.
- (h) Move furniture close to the wall and line up the brackets.
- (i) Thread the plastic zip cord into wall bracket and furniture bracket.