

Iona Side Table

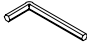
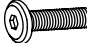


ASSEMBLY INSTRUCTIONS

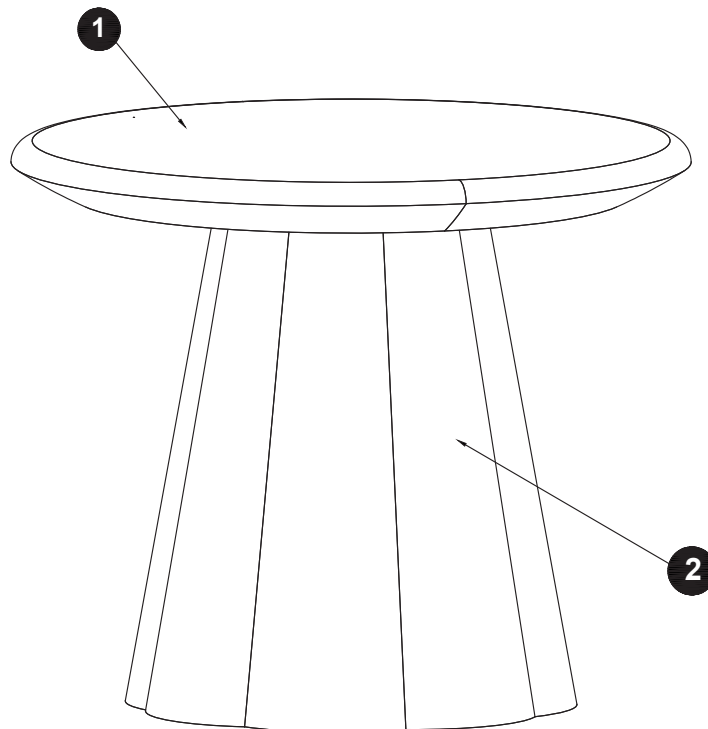
JOON LOLOI

ASSEMBLY INSTRUCTIONS

Read these instructions carefully and keep for future reference. Refer to parts inventory for guidance, and ensure you have all pieces before starting. When assembling, place all parts on a soft, clean, and flat surface such as a carpet to prevent scratches.

PARTS INVENTORY		
ID	DESCRIPTION	QTY
1	TOP	1
2	BASE	1

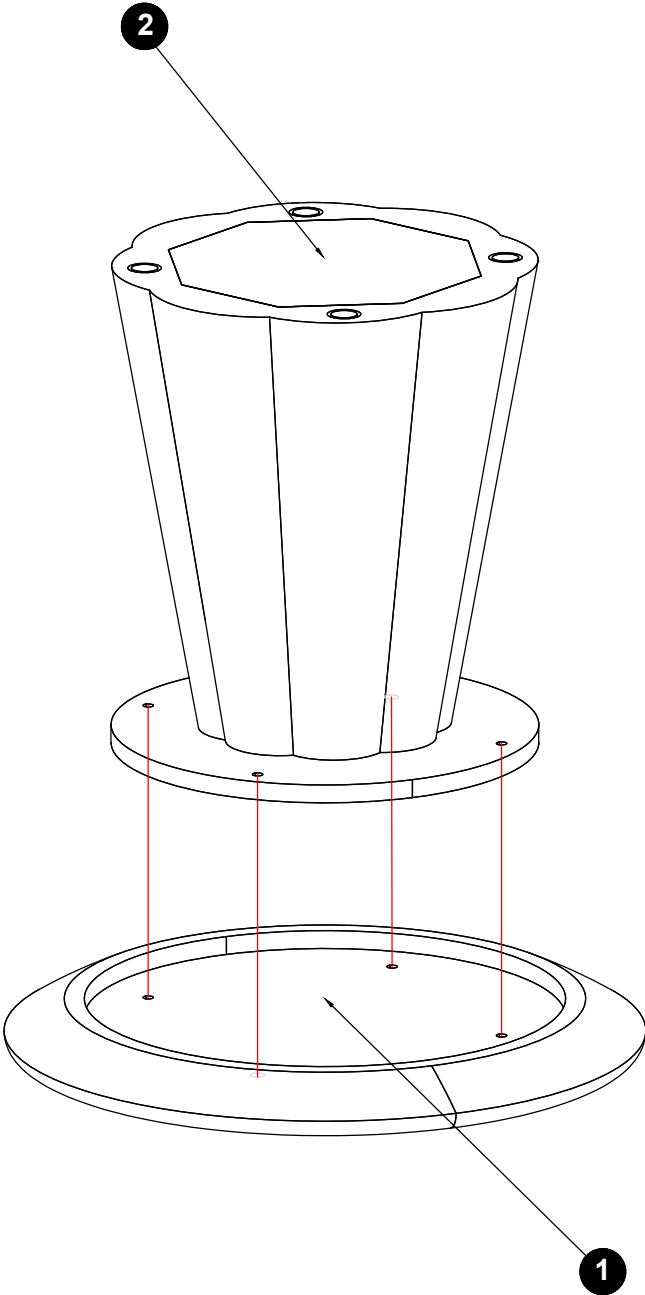
HARDWARE INVENTORY				
ID	IMAGE	DESCRIPTION	SIZE	QTY
A		ALLEN KEY	M5 x 110mm	1
B		ALLEN BOLT	M8 x 25mm	4
C		LOCK WASHER	15 x 10mm	4
D		FLAT WASHER	20 x 10mm	4



JOON LOLOI

STEP 1

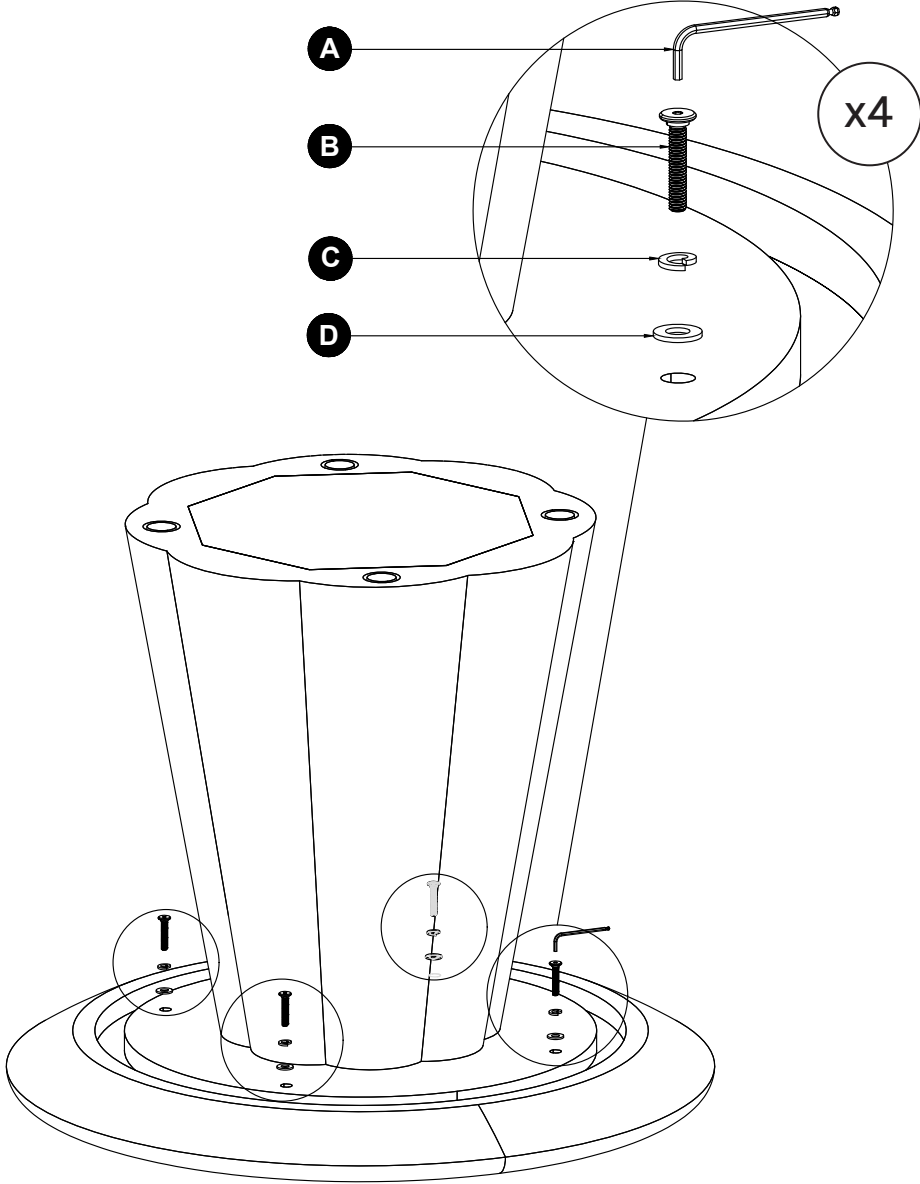
Place the **TOP (1)** upside down on a clean surface, then align the **BASE (2)** with the bolt holes.



JOON LOLOI

STEP 2

Insert **ALLEN BOLT (B)** with **LOCK WASHER (C)** and **FLAT WASHER (D)** into the bolt hole, then tighten using **ALLEN KEY (A)**. Repeat this process for all bolt holes



JOON LOLOI

STEP 3

Turn the side table right side up after tightening all the bolts. Once all components are secured, adjust the levelers. The assembly is now complete.

