

Paxton Console Table

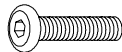


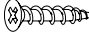
ASSEMBLY INSTRUCTIONS

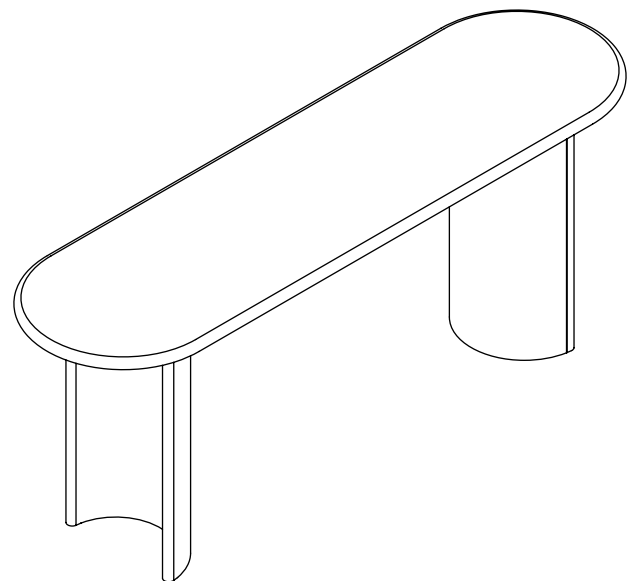
JOON LOLOI

ASSEMBLY INSTRUCTIONS: BEFORE BEGINNING

Read these instructions carefully and keep for future reference. Refer to parts inventory for guidance, and ensure you have all pieces before starting. When assembling, place all parts on a soft, clean, and flat surface such as a carpet to prevent scratches.

1. Carefully unpack and position the item on a clean, non-marring surface to assemble.
2. Read these Assembly Instructions from beginning to end before starting to assemble.
3. Take an inventory of the required parts to ensure all are available.
4. To prevent accidental choking hazards, keep all packing materials away from small children.
5. Only tighten hardware until ALL hardware are fully engaged on their locations. Over-tighten bolts will damage the bolt threads.
6. Use only factory provided hardware to assemble. Unapproved hardware can damage product or jeopardize the structural integrity of the product.
7. The use of power tool to assemble is not recommended due to high risk of over-torque, which can damage the product.

HARDWARE INVENTORY				
ID	IMAGE	DESCRIPTION	SIZE	QTY
A		ALLEN BOLT	8x20mm	6
B		ALLEN WRENCH	4 mm	1
C		SPRING WASHER	8x19mm	6
D		WASHER	8x19mm	6
E		SCREW	4x15mm	4
F		ANTI-TIPPING HARDWARE		1 SET

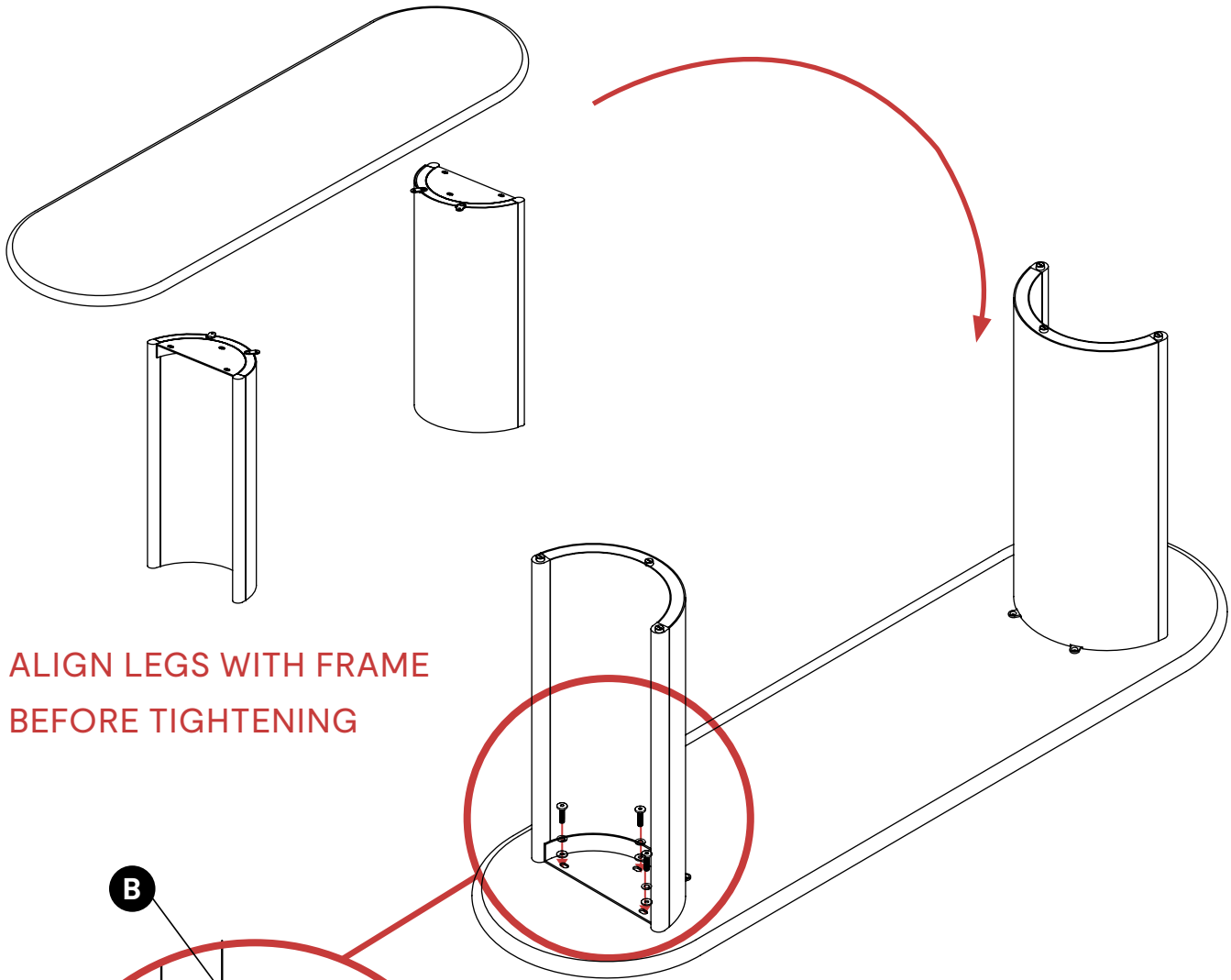


TOOLS NOT INCLUDED: Drill, Level, Stud Finder, Philips Head Screwdriver, Pencil.

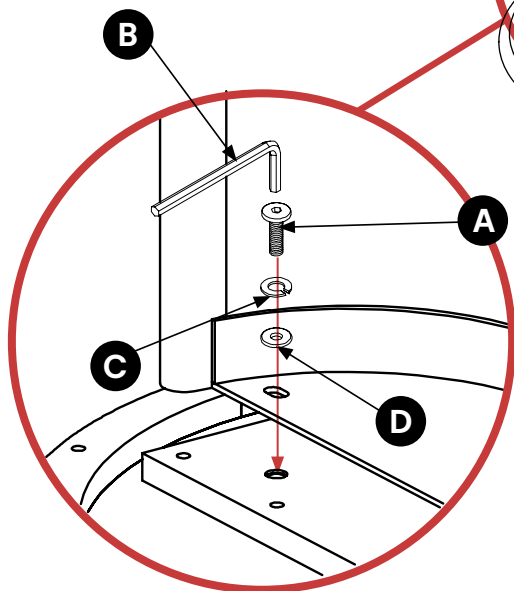
JOON LOLOI

STEP 1

Place the table top on the ground with the bottom facing upward. Then place each leg in its corresponding place. The rounded edge of the legs facing inward.



ALIGN LEGS WITH FRAME
BEFORE TIGHTENING



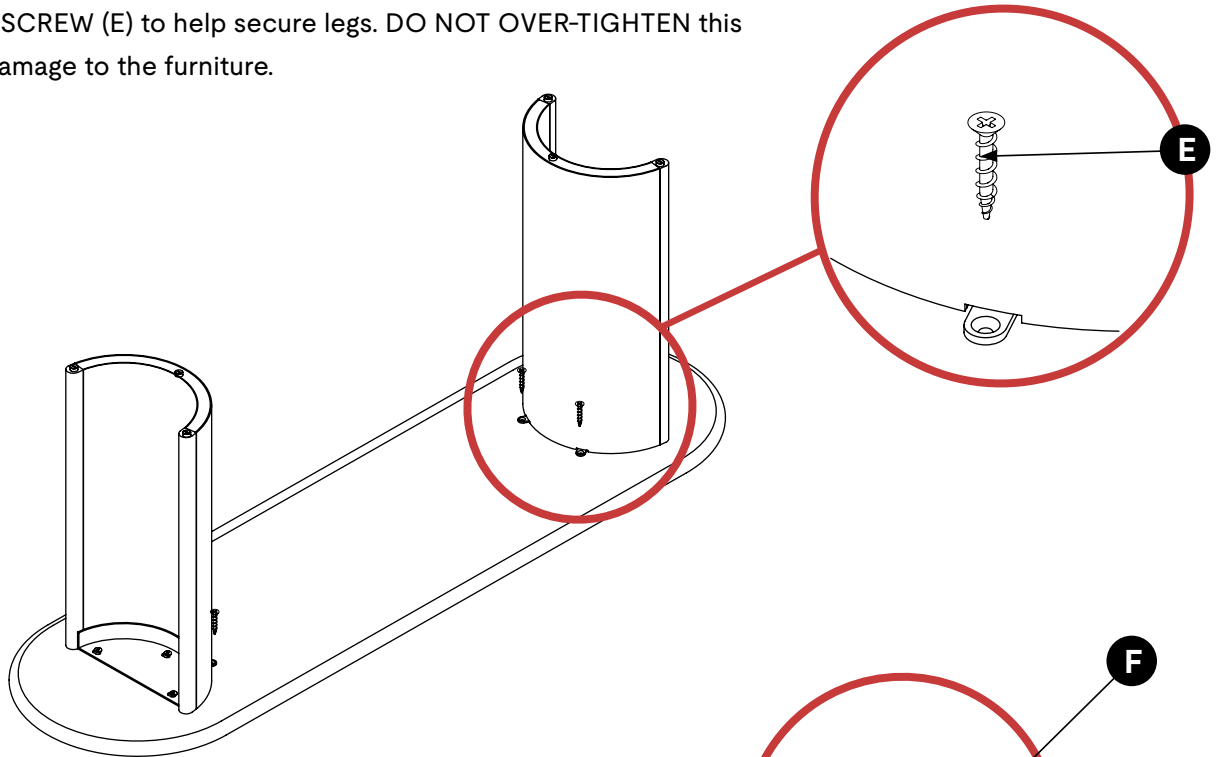
STEP 2

Screw in the legs by using the ALLEN WRENCH (B) threading the BOLT (A) sliding the WASHER (D), and then SPRING WASHER (C) onto the BOLT (A) and then through the holes of the legs and desk top. Do this for both legs.

JOON LOLOI

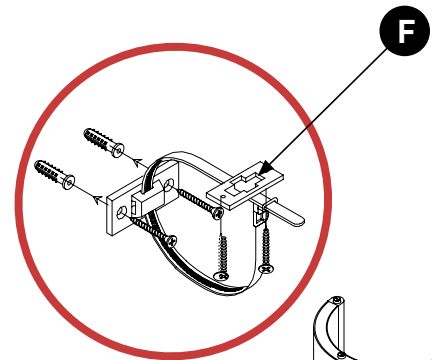
STEP 3

For additional security, 4 SCREWS (E) are provided so that two can go on the curved inward side of the legs attaching the legs to the table top on the opposite side of the ALLEN BOLTS (A). Use a Philips Head Screwdriver to screw in each SCREW (E) to help secure legs. **DO NOT OVERTIGHTEN** this could cause damage to the furniture.



STEP 3

An ANTI-TIPPING SET (F) has been included to help give your console additional stability. On either long side of the console top, there are two holes in which you can attach the ANTI-TIPPING SET (F) to the table and then to the wall. Please use the additional Anti-Tipping set instructions to secure your console safely to the wall.



STEP 4

To make sure the table is level, you can adjust the feet on the bottom of the legs by rotating them higher or lower. Once the legs are securely attached and the ANTI-TIPPING SET has been installed your assembly is complete.

