

Pierre Display Cabinet



ASSEMBLY INSTRUCTIONS

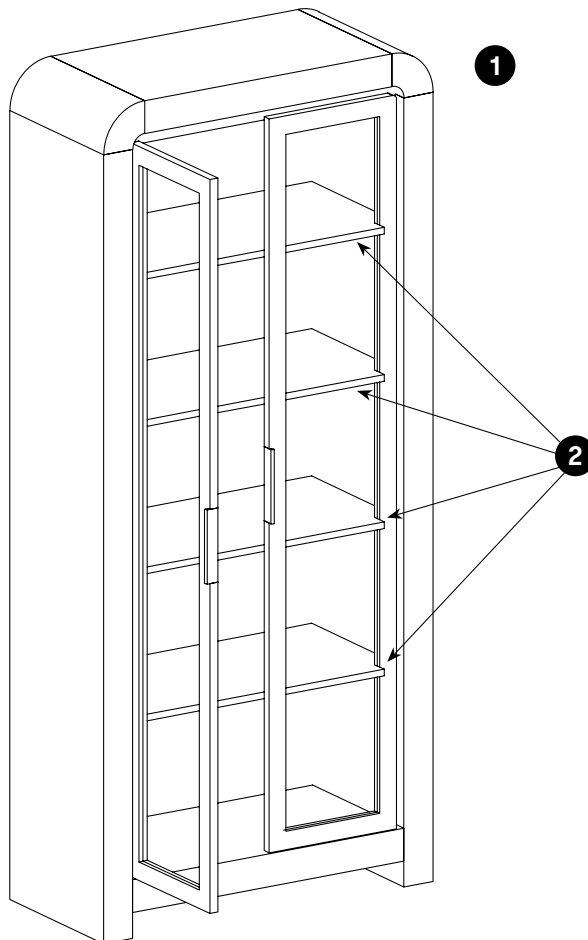
JOON LOLOI

ASSEMBLY INSTRUCTIONS: BEFORE BEGINNING

Read these instructions carefully and keep for future reference. Refer to parts inventory for guidance, and ensure you have all pieces before starting. When assembling, place all parts on a soft, clean, and flat surface such as a carpet to prevent scratches.

PARTS INVENTORY		
ID	DESCRIPTION	QTY
1	PIERRE DISPLAY CABINET	1
2	SHELF	4

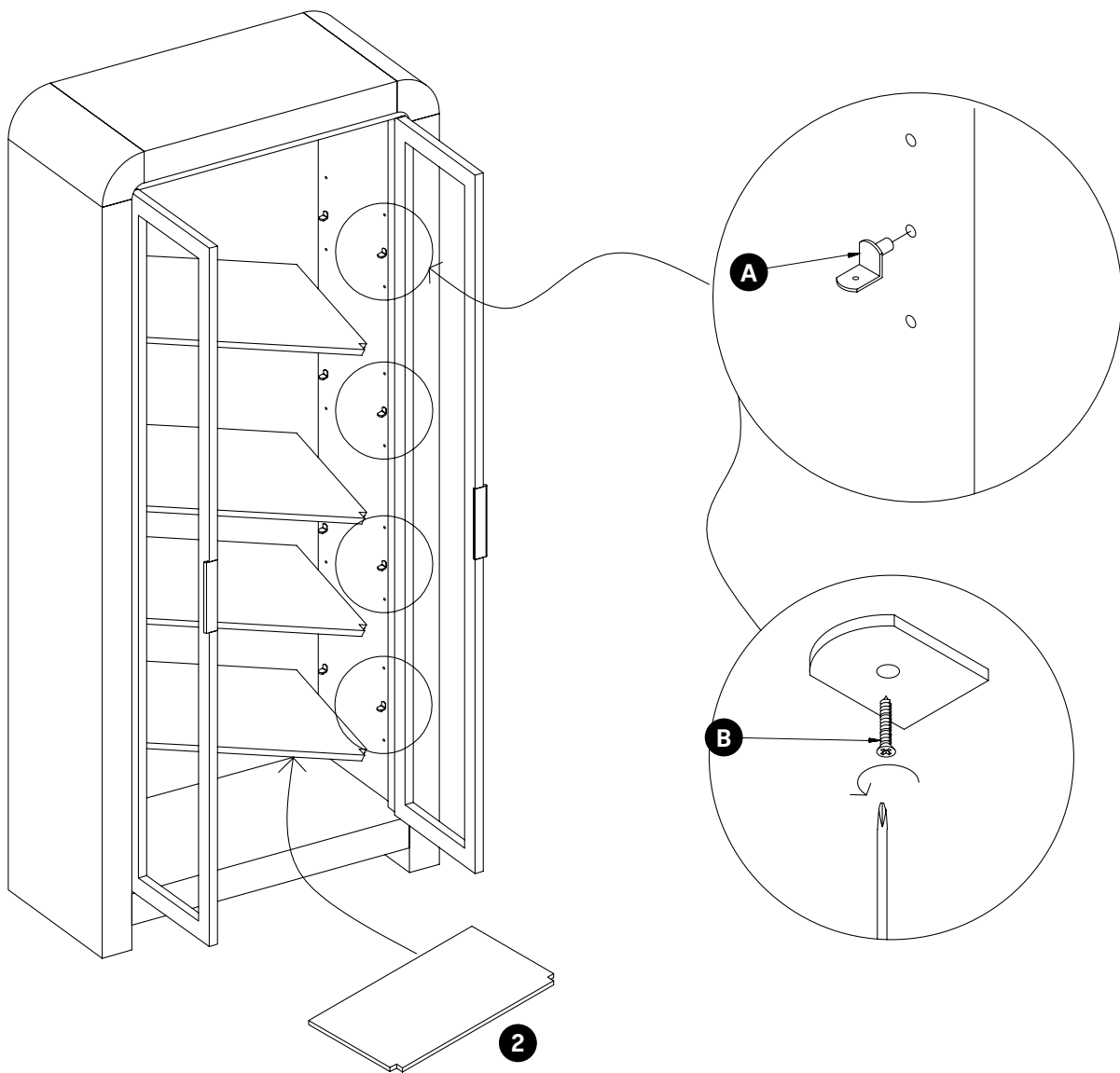
HARDWARE INVENTORY				
ID	IMAGE	DESCRIPTION	SIZE	QTY
A		SHELF SUPPORT		16
B		SCREW	3 x 15mm	16



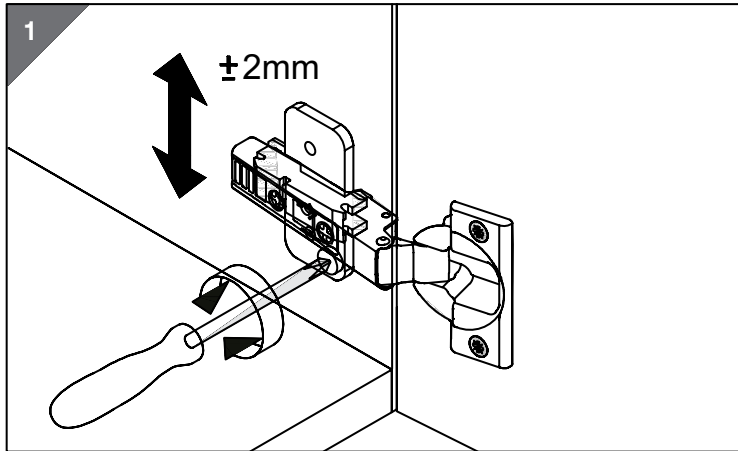
JOON LOLOI

STEP 1

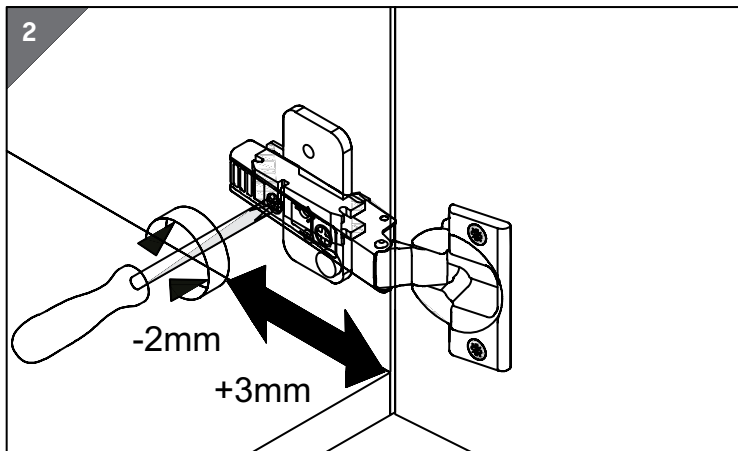
Open the two Pierre Display Cabinet doors. Adjust **SHELF SUPPORT (A)** into position. Do this for all sixteen shelf supports. Attach the **SHELF (2)** to shelf **SUPPORT (A)**. Do this for all four shelves. After fixing the shelf, **SCREW (B)** from under the **SHELF SUPPORT (A)** to the **SHELF (2)**, better fixed. Do this for all sixteen **SCREWS (B)**.



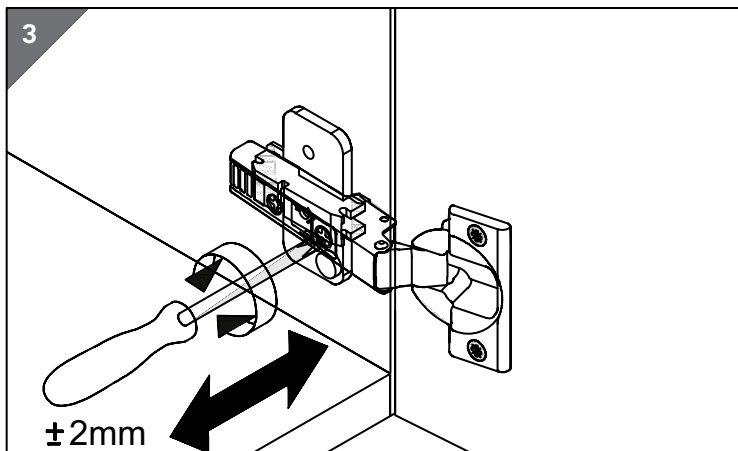
HEIGHT ADJUSTMENT



DEPTH ADJUSTMENT



SIDE ADJUSTMENT



JOON LOLOI

STEP 2

All four legs on the Pierre Display Cabinet have the ability to move up and down by twisting left or right. This allows the user to make the cabinet level. Adjust levelers as needed.

