

Pierre Sideboard



ASSEMBLY INSTRUCTIONS

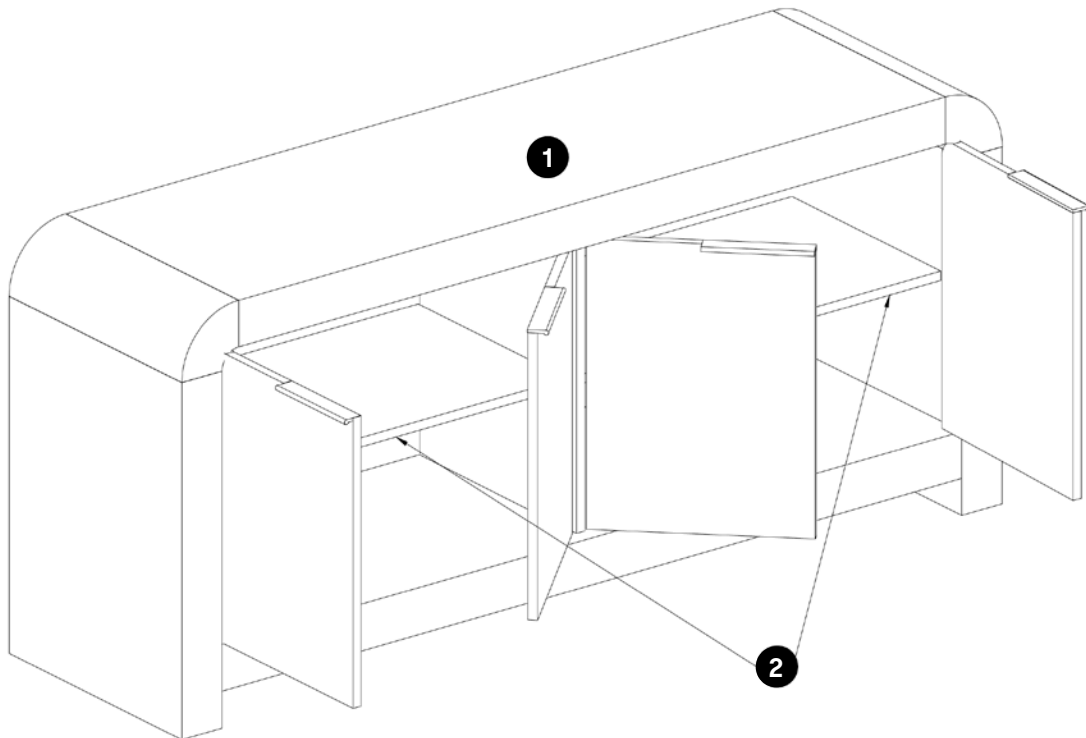
JOON LOLOI

ASSEMBLY INSTRUCTIONS: BEFORE BEGINNING

Read these instructions carefully and keep for future reference. Refer to parts inventory for guidance, and ensure you have all pieces before starting. When assembling, place all parts on a soft, clean, and flat surface such as a carpet to prevent scratches.

PARTS INVENTORY		
ID	DESCRIPTION	QTY
1	PIERRE SIDEBOARD	1
2	SHELF	2

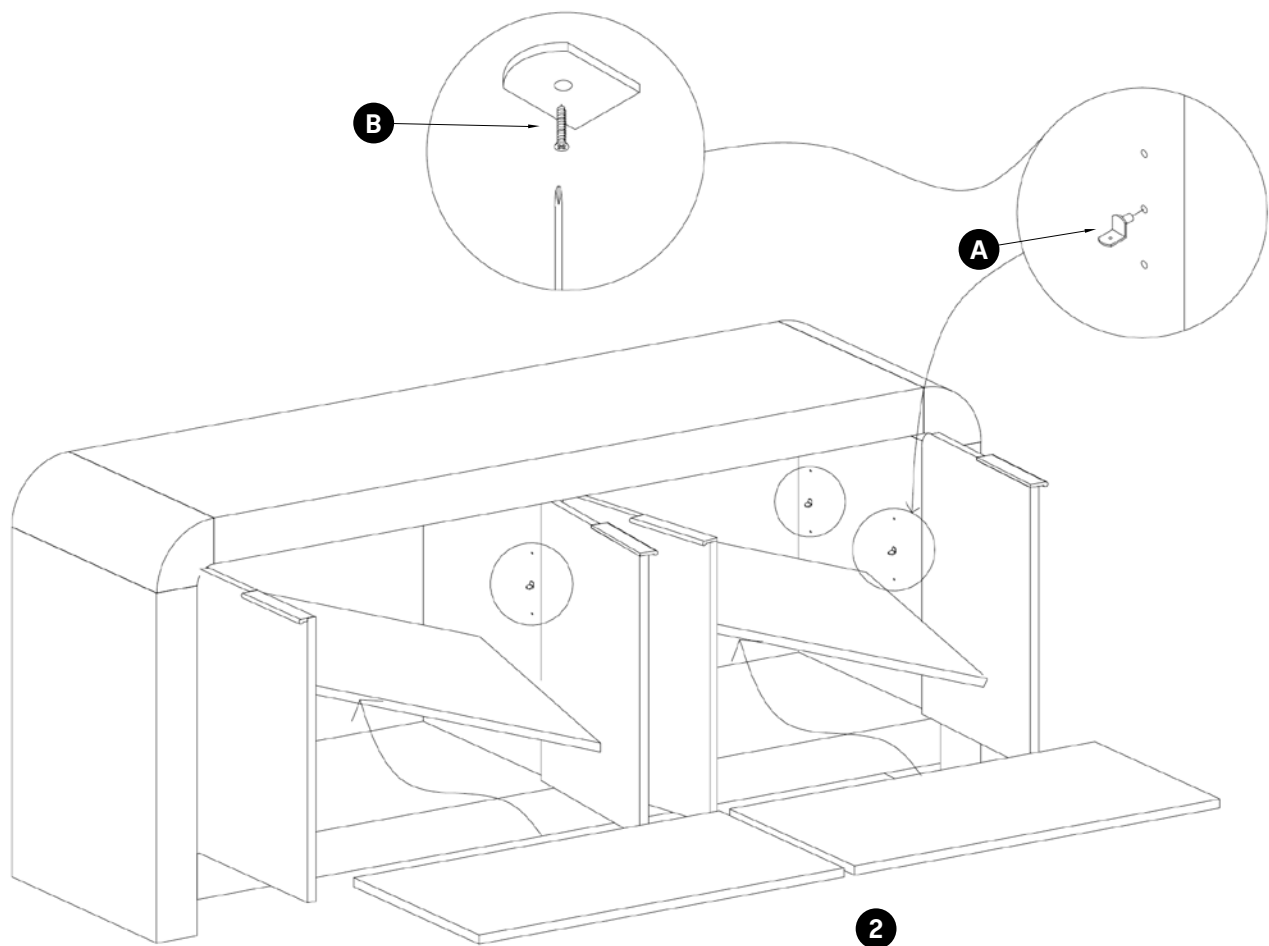
HARDWARE INVENTORY				
ID	IMAGE	DESCRIPTION	SIZE	QTY
A		SHELF SUPPORT		8
B		SCREW	3 x 15mm	8



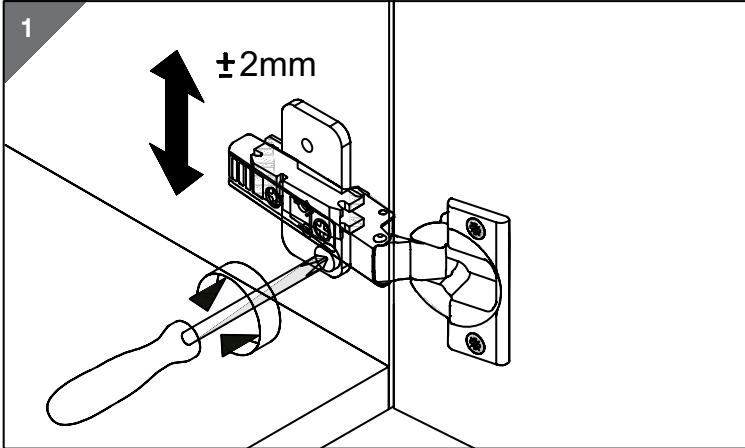
JOON LOLOI

STEP 1

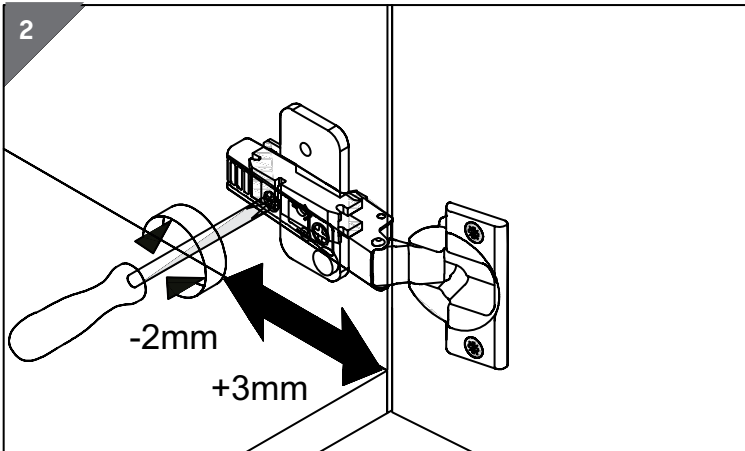
Open the four Pierre Sideboard doors. Adjust **SHELF SUPPORT (A)** into position. Do this for all eight shelf supports. Attach the **SHELF (2)** to **SHELF SUPPORT (A)**. Do this for both shelves. After fixing the shelf, **SCREW (B)** from under the **SHELF SUPPORT (A)** to the **SHELF (2)**, better fixed. Do this for all eight **SCREWS (B)**.



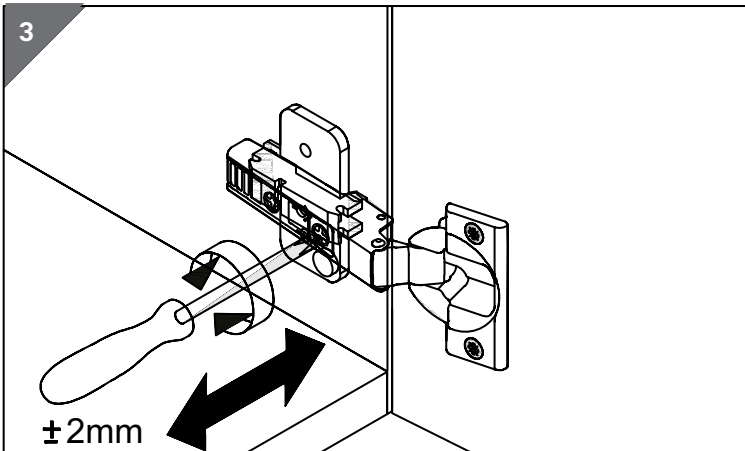
HEIGHT ADJUSTMENT



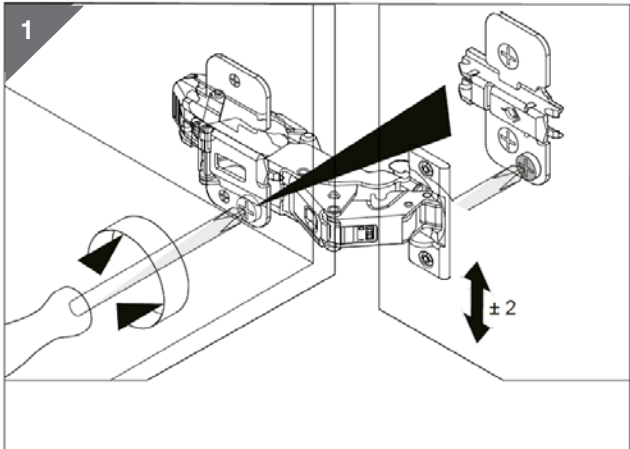
DEPTH ADJUSTMENT



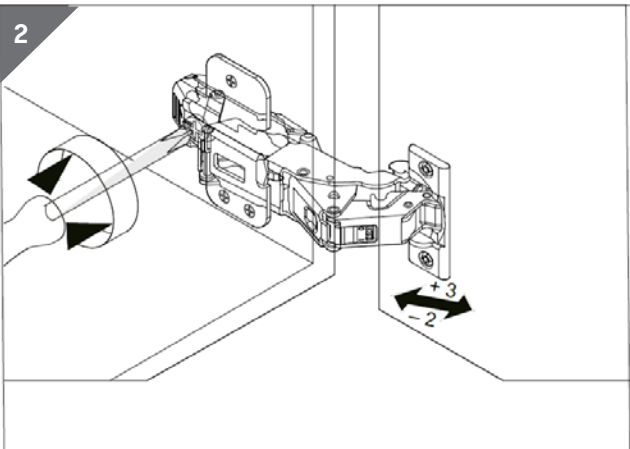
SIDE ADJUSTMENT



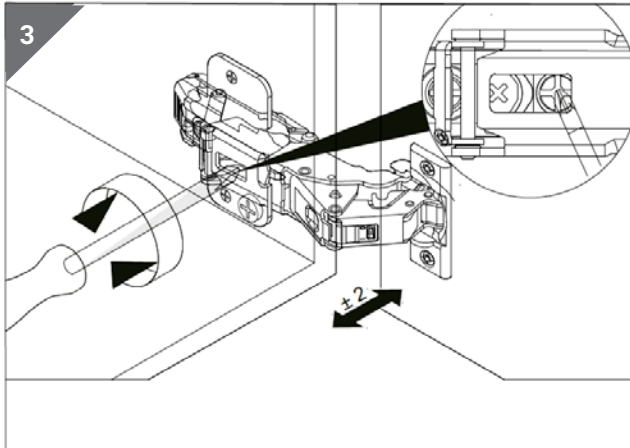
HEIGHT ADJUSTMENT



DEPTH ADJUSTMENT



SIDE ADJUSTMENT



JOON LOLOI

STEP 2

All four legs on the Pierre Sideboard have the ability to move up and down by twisting left or right. This allows the user to make the sideboard level. Adjust levelers as needed.

