

# Yorkshire Dining Table

---




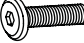
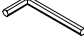
## ASSEMBLY INSTRUCTIONS

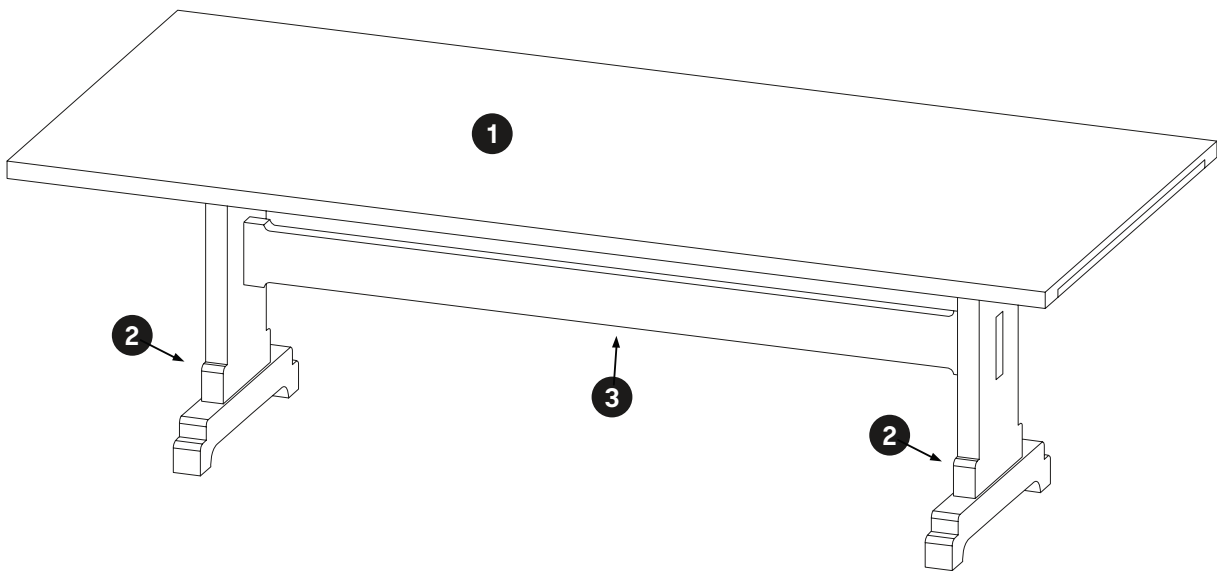
# JOON LOLOI

## ASSEMBLY INSTRUCTIONS: BEFORE BEGINNING

Read these instructions carefully and keep for future reference. Refer to parts inventory for guidance, and ensure you have all pieces before starting. When assembling, place all parts on a soft, clean, and flat surface such as a carpet to prevent scratches.

PARTS INVENTORY		
ID	DESCRIPTION	QTY
1	TOP	1
2	BASE	2
3	STRETCHER	1

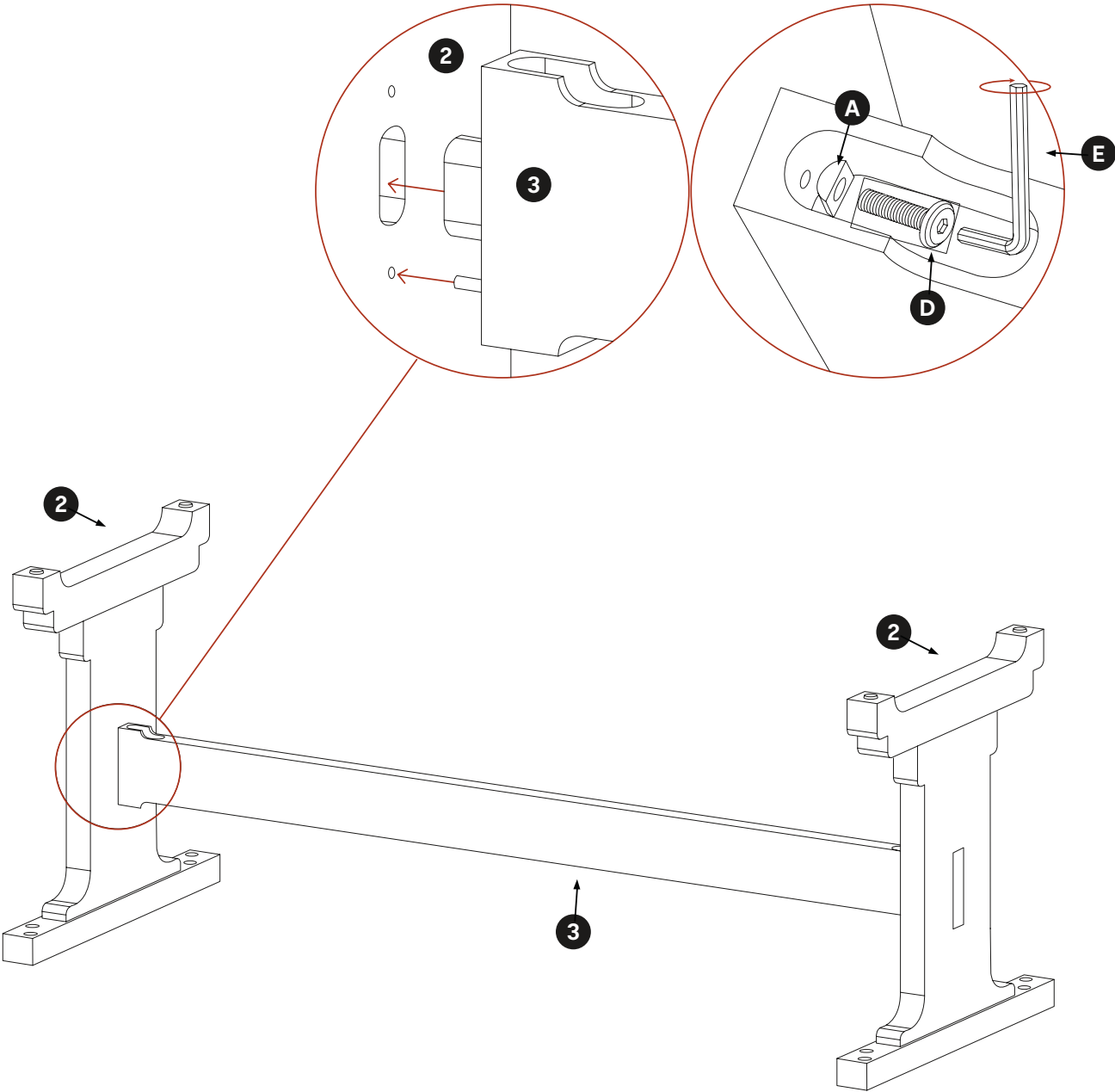
HARDWARE INVENTORY				
ID	IMAGE	DESCRIPTION	SIZE	QTY
A		HALF MOON WASHER	18mm x 9mm	2
B		LOCK WASHER	15mm x 10mm	8
C		FLAT WASHER	22mm x 10mm	8
D		ALLEN BOLT	M8 x 50mm	10
E		ALLEN WRENCH	M5 x 100mm	1



# JOON LOLOI

## STEP 1

Attach **Stretcher (3)** to **Base (2)** using **Half Moon Washer (A)** and **Allen Bolt (D)** with the help of **Allen Wrench (E)**.

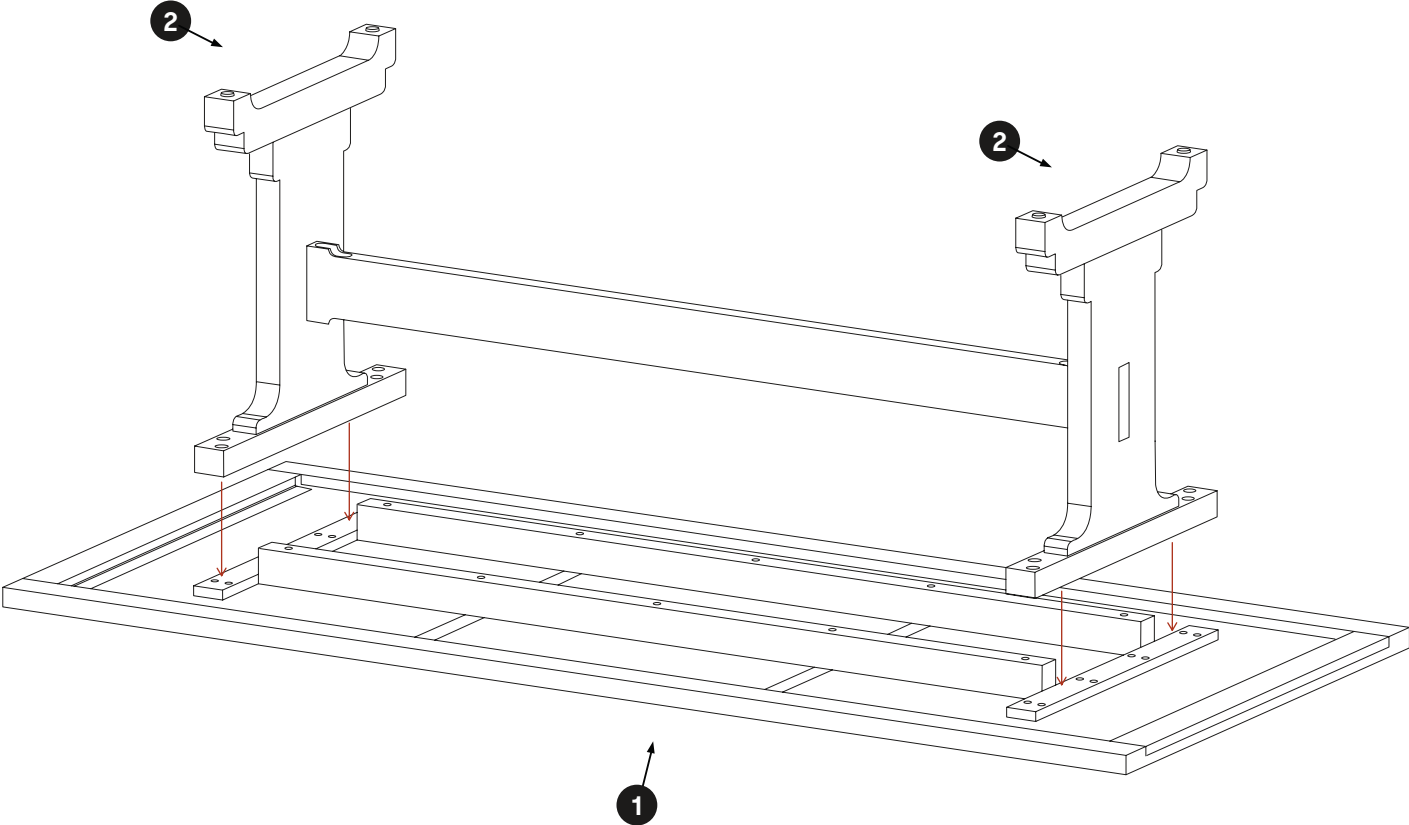


# JOON LOLOI

---

## STEP 2

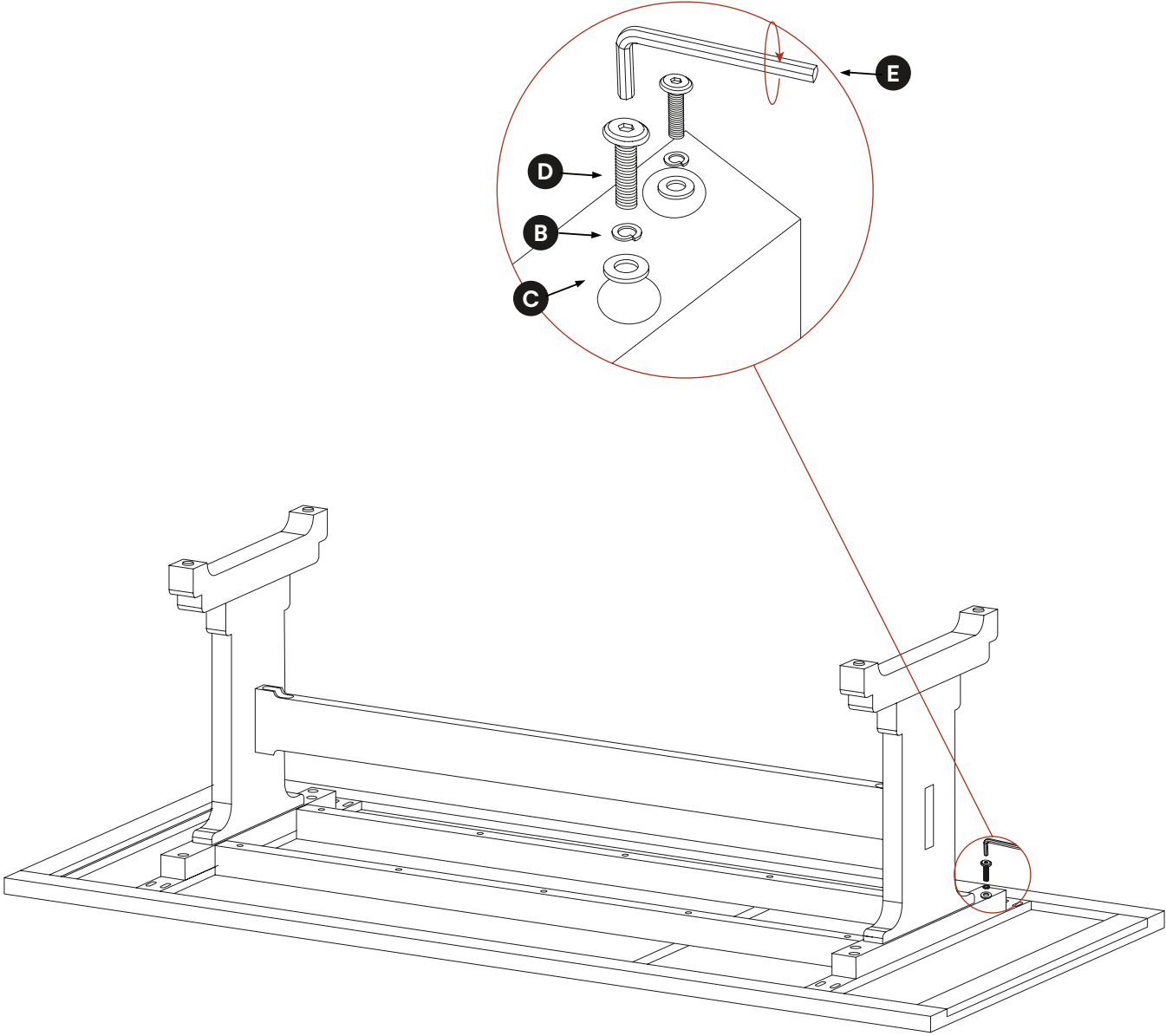
Place **Top (1)** upside down on a smooth, flat surface and align holes of **Base (2)** on **Top (1)**.



# JOON LOLOI

## STEP 3

Use **Allen Bolt (D)**, **Lock Washer (B)** and **Washer (C)** to attach **Top (1)** & **Base (2)**. Use **Allen Wrench (E)** to tighten bolts. Do this for all eight bolts.



# JOON LOLOI

## STEP 4

Both legs of the Yorkshire Dining Table have levelers that can be twisted left and right to adjust height. This allows the user to make the Dining Table level. Adjust levelers as needed.

