

Doyle Console Table


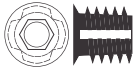
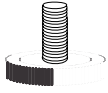

ASSEMBLY INSTRUCTIONS

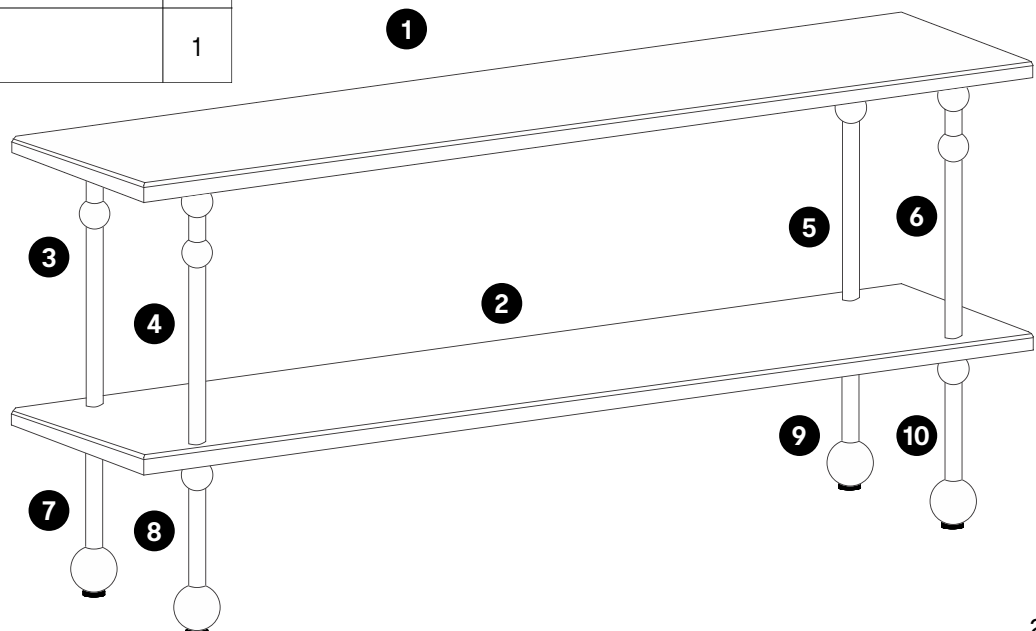
JOON LOLOI

ASSEMBLY INSTRUCTIONS: BEFORE BEGINNING

Read these instructions carefully and keep for future reference. Refer to parts inventory for guidance, and ensure you have all pieces before starting. When assembling, place all parts on a soft, clean, and flat surface such as a carpet to prevent scratches.

PARTS INVENTORY		
ID	DESCRIPTION	QTY
1	SIDEBOARD CONSOLE	1
2	SIDEBOARD CONSOLE	1
3	LEFT FOOT	1
4	LEFT FOOT	1
5	RIGHT FOOT	1
6	RIGHT FOOT	1
7	SUPPORT LEG	1
8	SUPPORT LEG	1
9	SUPPORT LEG	1
10	SUPPORT LEG	1

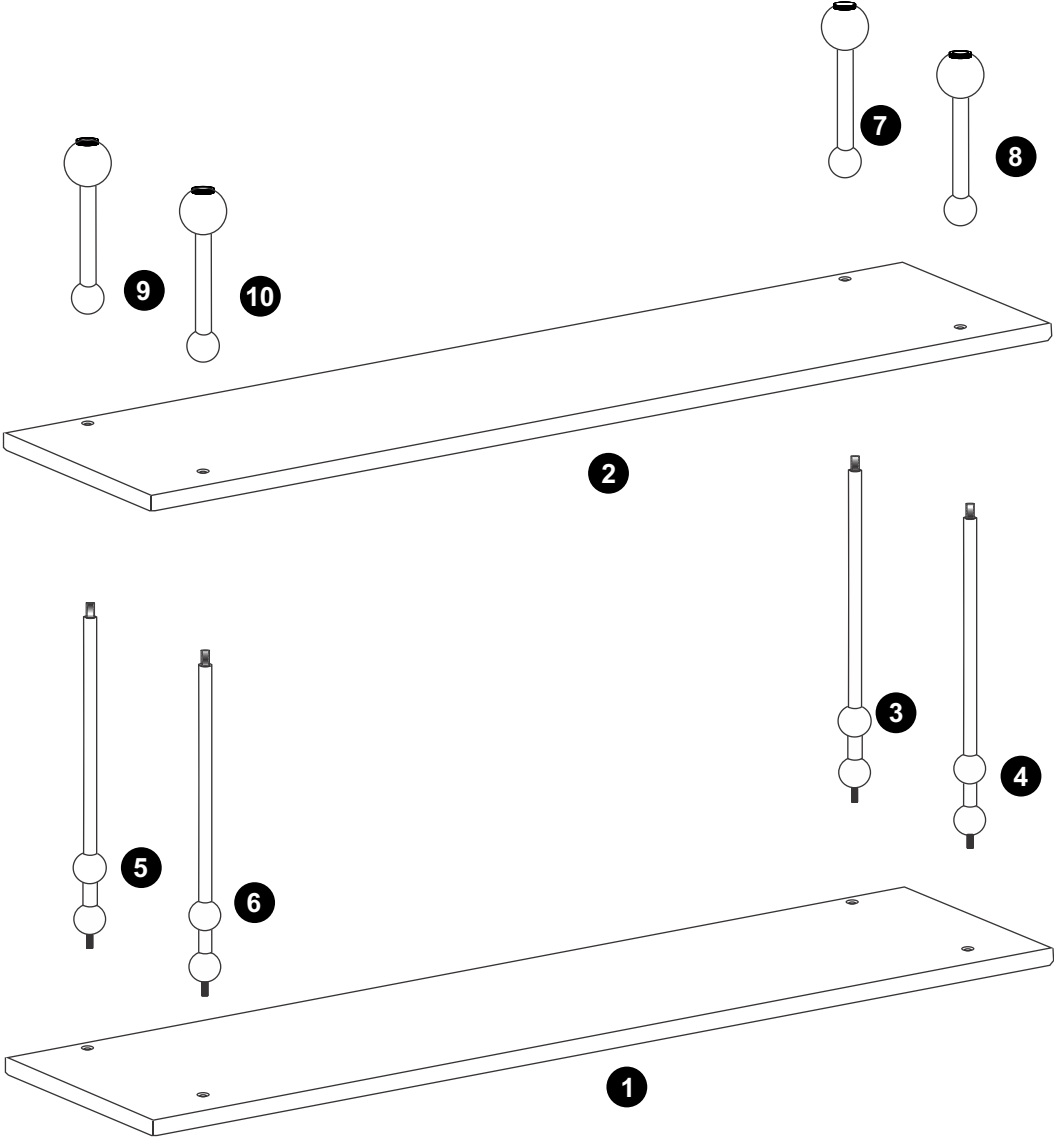
HARDWARE INVENTORY				
ID	IMAGE	DESCRIPTION	SIZE	QTY
A		STUD		12
B		D Nut (Fixed)		12
C		Leveler (Fixed)		4
D		Silicon cap		4



JOON LOLOI

STEP 1

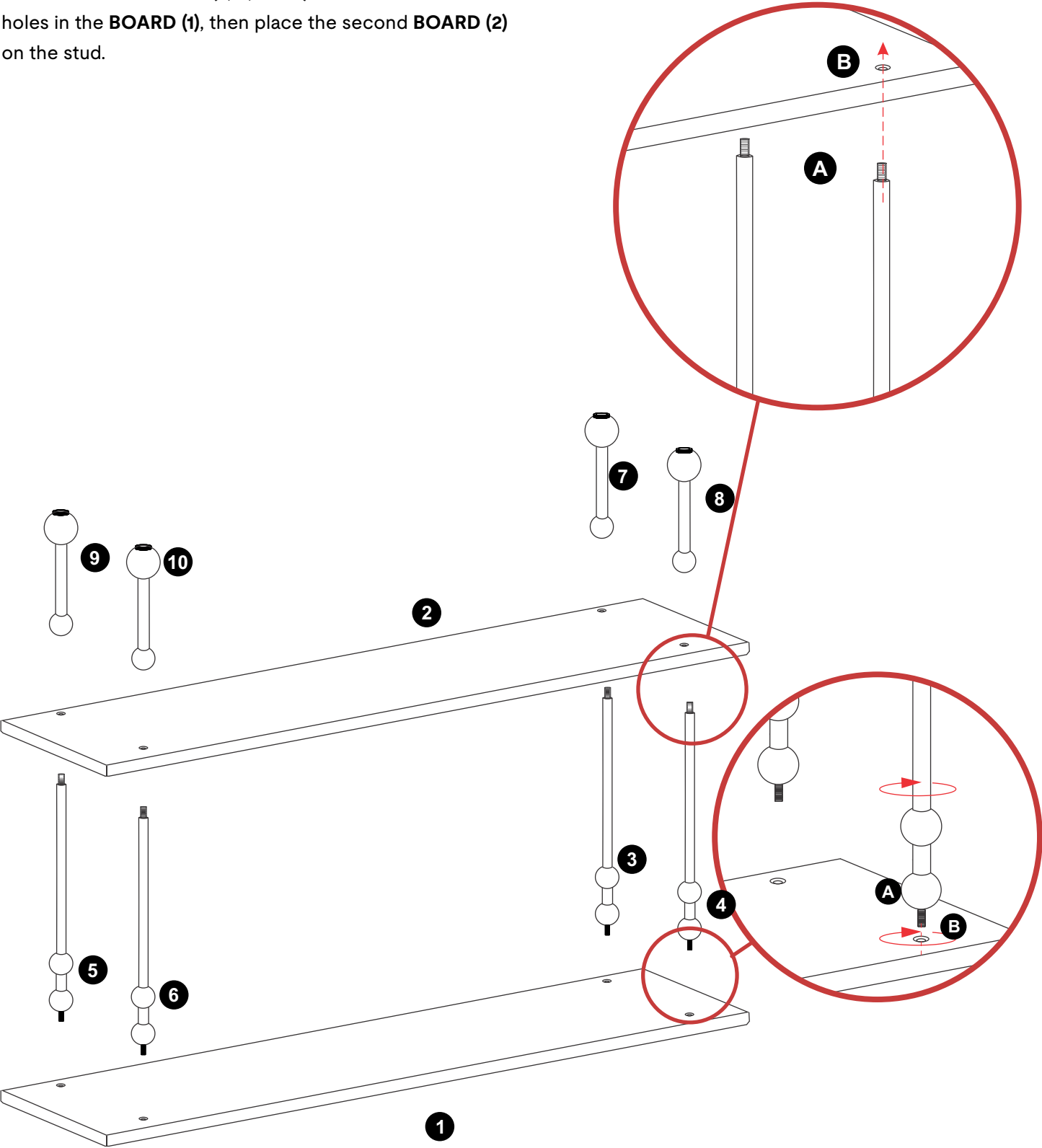
Rotate the **BOARD (1)** of the table and place it on the ground hole side facing upward.



JOON LOLOI

STEP 2

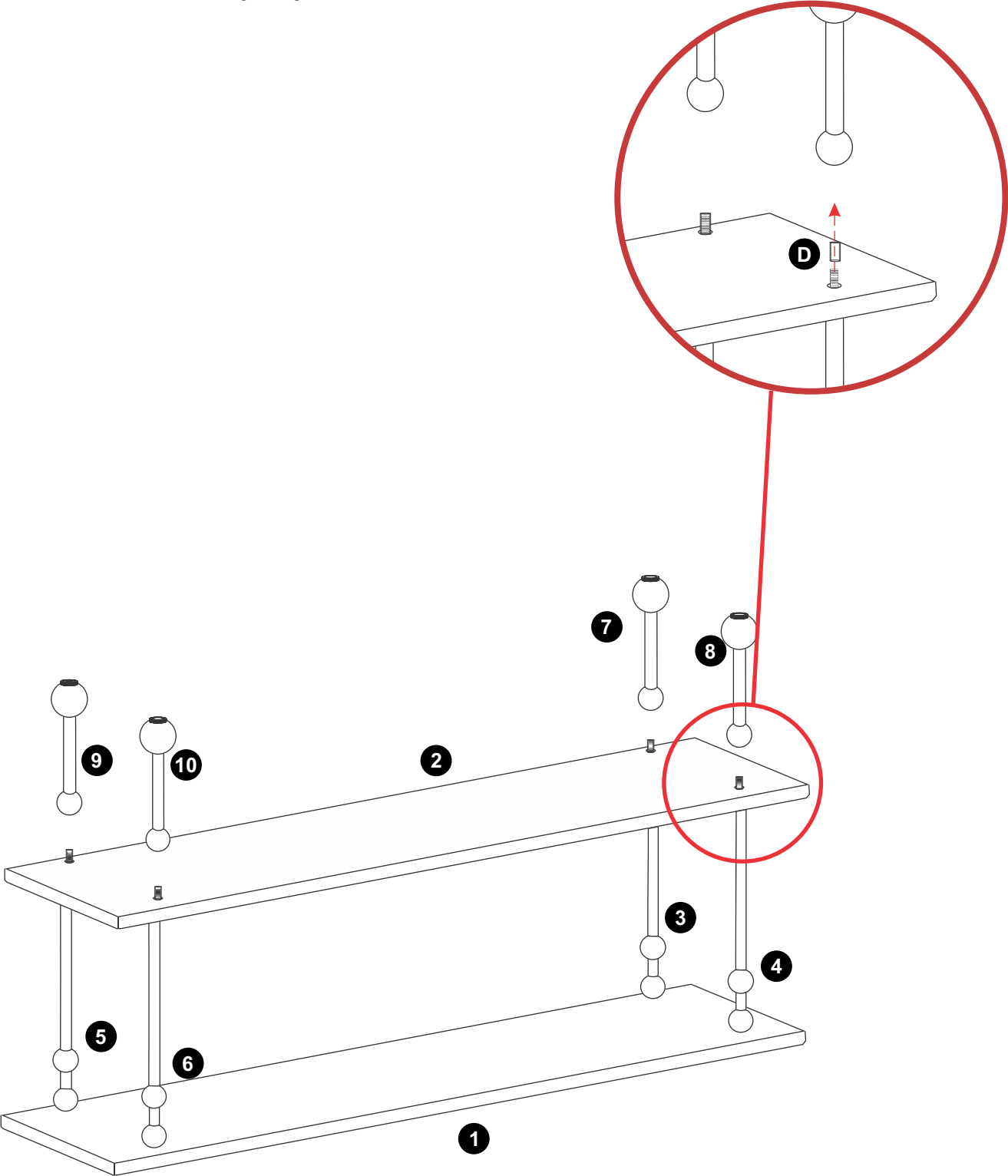
Rotate **SUPPORT LEGS (3, 4, 5 & 6)** and fix them into the holes in the **BOARD (1)**, then place the second **BOARD (2)** on the stud.



JOON LOLOI

STEP 3

Remove the **SILICON CAP (D)** from the **STUD (A)**. It's only there to protect the wooden slab from getting scratched in transit.



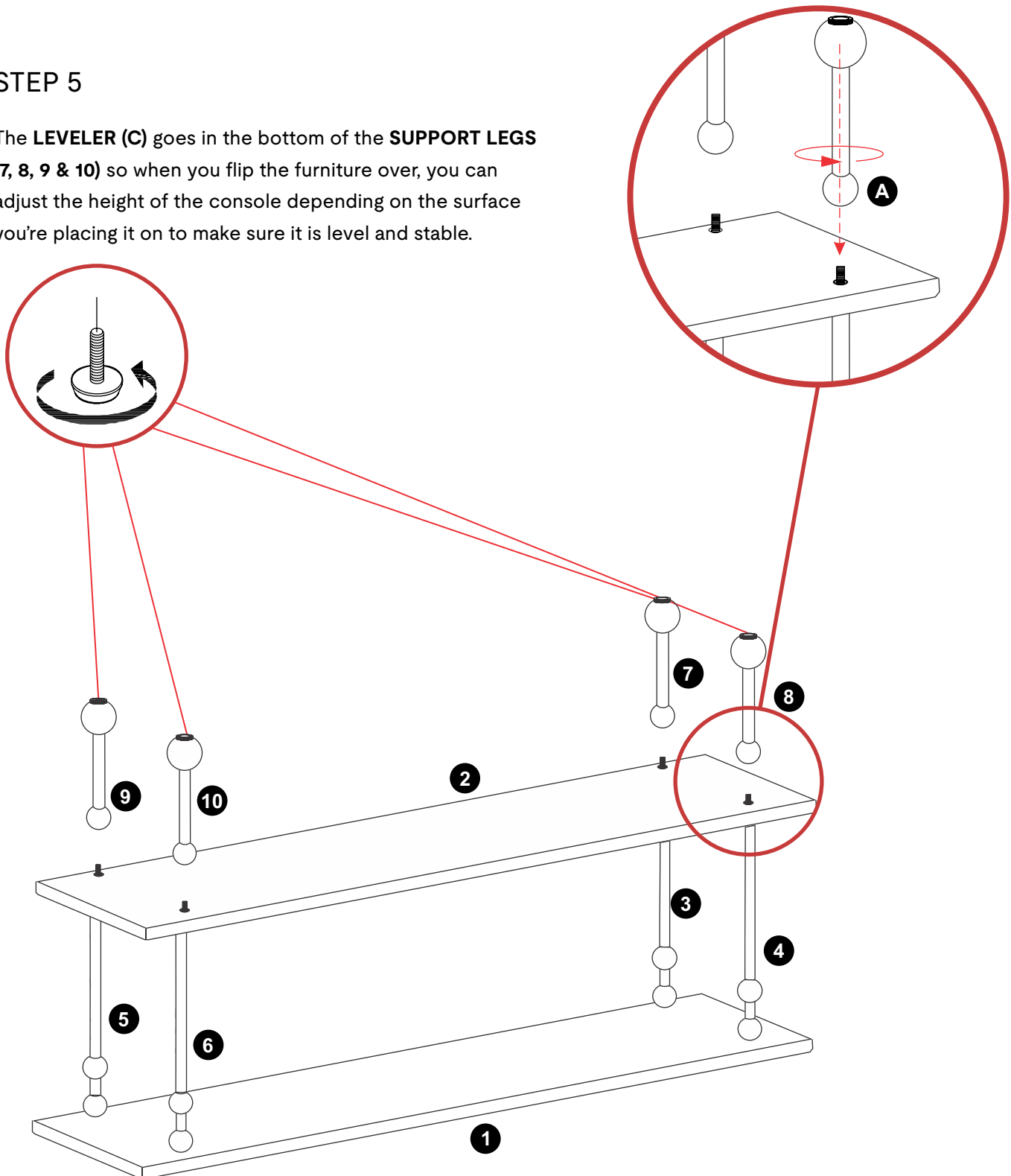
JOON LOLOI

STEP 4

Put the lower **SUPPORT LEGS (7, 8, 9 & 10)** on the top of the stud then rotate to screw down and secure on the **STUD (A)**.

STEP 5

The **LEVELER (C)** goes in the bottom of the **SUPPORT LEGS (7, 8, 9 & 10)** so when you flip the furniture over, you can adjust the height of the console depending on the surface you're placing it on to make sure it is level and stable.



JOON LOLOI

STEP 6

Once all **SUPPORT LEGS** have been secured and your console is level, assembly is complete.

