

JOON LOLOI

Version 1.0

ASSEMBLY INSTRUCTIONS

Lacey Table Lamp

LIGHTING

JOON LOLOI

⚠ SAFETY INSTRUCTIONS

These instructions are provided for your safety. It is very important that they are read carefully and completely before beginning the assembly and installation of this lamp. This lamp has been rated for up to one (1) 6-watt maximum type B-E12 LED bulb (not included). To avoid the risk of fire, do not exceed the recommended wattage. This lamp is meant for indoor use. This portable lamp has a polarized plug (one blade is wider than the other) as a safety feature to reduce the risk of electric shock. This plug will fit in a polarized outlet only one way. If the plug does not fit fully in the outlet, reverse the plug. If it still does not fit, contact a qualified electrician. Never use with an extension cord unless plug can be fully inserted. Do not attempt to defeat this safety feature DRY LOCATION ONLY. **SAVE THESE INSTRUCTIONS.**

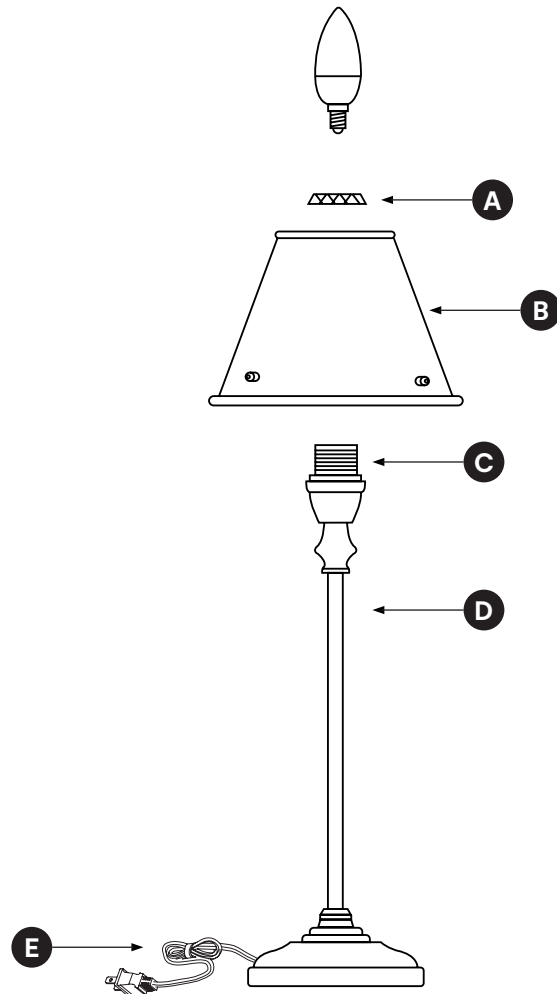
⚠ WARNING

TO REDUCE THE RISK OF FIRE, ELECTRICAL SHOCK OR PERSONAL INJURY, ALWAYS TURN OFF AND UNPLUG THE LAMP AND ALLOW IT TO COOL PRIOR TO REPLACING THE LIGHT BULB. DO NOT TOUCH BULB WHEN THE LAMP IS TURNED ON. DO NOT LOOK DIRECTLY AT LIT BULB. KEEP FLAMMABLE MATERIALS AWAY FROM LIT BULB.

ASSEMBLY INSTRUCTIONS

Remove all parts and hardware from box along with any plastic protective packaging. Do not discard any contents until after assembly is complete to avoid accidentally discarding small parts or hardware.

PARTS INVENTORY		
ID	DESCRIPTION	QTY
A	SOCKET RING	1
B	LAMP SHADE	1
C	SOCKET	1
D	LAMP BASE	1
E	CORD	1

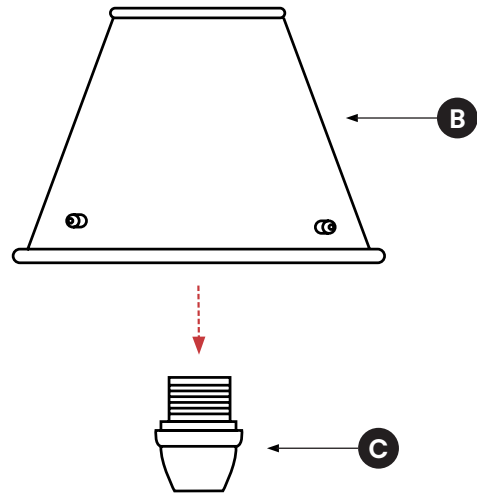


**The drawing shown is for illustration purpose only, and may vary from actual product.*

JOON LOLOI

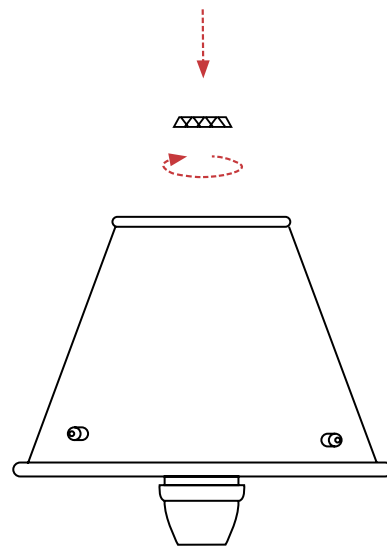
STEP 1

Place **SHADE (B)** onto **SOCKET (C)**. Align the metal shade fitter with the threaded part of the lamp's body and slide the shade down.



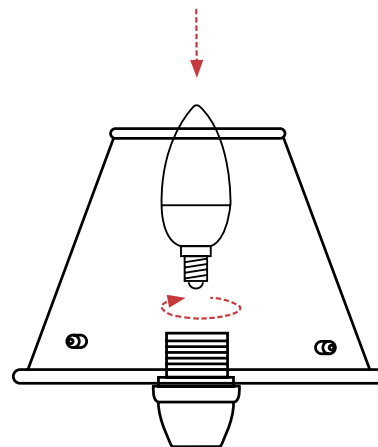
STEP 2

Secure **SHADE (B)** with **SOCKET RING (A)** until tight.



STEP 3

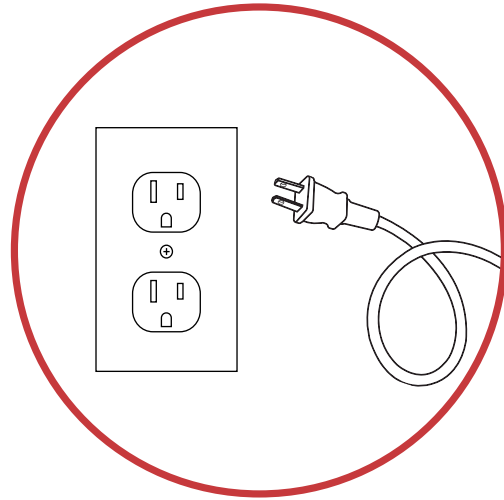
Insert one (1) 6-watt maximum type B-E12 light bulb (not included) into the socket and screw in the light bulb. **DO NOT EXCEED THE SPECIFIED WATTAGE.**



JOON LOLOI

STEP 4

Plug the **CORD (E)** of the lamp into the proper electrical outlet and test this lamp. Now your assembly is complete.



CARE INSTRUCTIONS

Wipe clean with a soft, dry cloth or static duster.

Always avoid the use of harsh chemicals or abrasive cleaners as they may cause damage to the lamp's finish.