

JOON LOLOI

Version 1.0

ASSEMBLY INSTRUCTIONS

Latimer Floor Lamp

LIGHTING

JOON LOLOI

⚠ SAFETY INSTRUCTIONS

These instructions are provided for your safety. It is very important that they are read carefully and completely before beginning the assembly and installation of this lamp. This lamp has been rated for up to one (1) 60-watt maximum standard incandescent light bulb (not included). To avoid the risk of fire, do not exceed the recommended wattage. This lamp is meant for indoor use. DRY LOCATION ONLY. **SAVE THESE INSTRUCTIONS.**

⚠ WARNING

TO REDUCE THE RISK OF FIRE, ELECTRICAL SHOCK OR PERSONAL INJURY, ALWAYS TURN OFF AND UNPLUG THE LAMP AND ALLOW IT TO COOL PRIOR TO REPLACING THE LIGHT BULB.

DO NOT TOUCH BULB WHEN THE LAMP IS TURNED ON. DO NOT LOOK DIRECTLY AT LIT BULB.

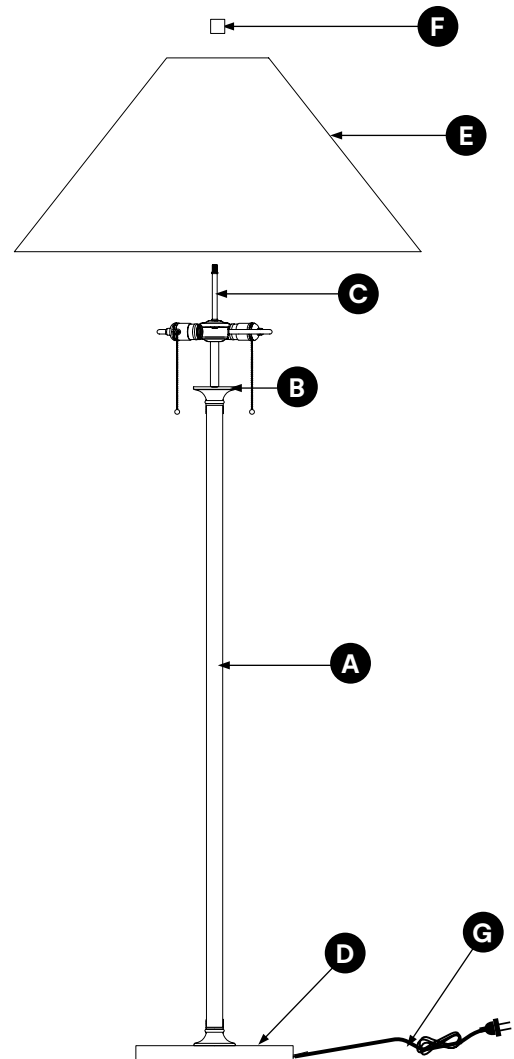
KEEP FLAMMABLE MATERIALS AWAY FROM LIT BULB.

ASSEMBLY INSTRUCTIONS

Remove all parts and hardware from box along with any plastic protective packaging.

Do not discard any contents until after assembly is complete to avoid accidentally discarding small parts or hardware.

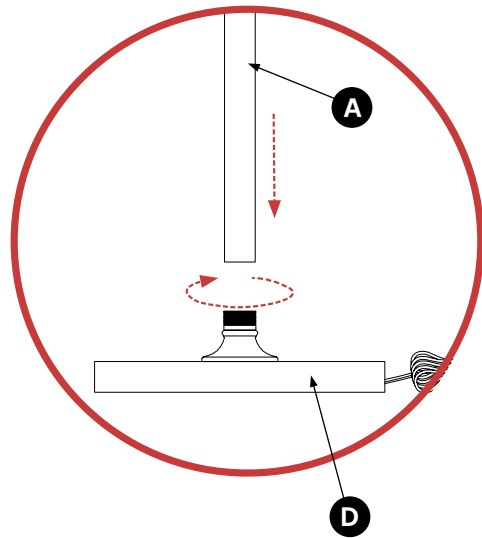
PARTS INVENTORY		
ID	DESCRIPTION	QTY
A	LAMP BASE/BODY	1
B	CLUSTER	1
C	PIPE	1
D	FOOT	1
E	SHADE	1
F	FINIAL	1
G	CORD & PLUG	1



JOON LOLOI

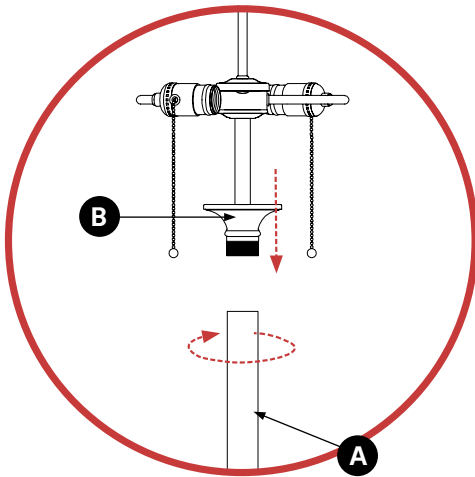
STEP 1

Screw the **LAMP BASE/BODY (A)** into the **FOOT (D)** of the lamp that has the **PLUG AND CORD (G)** attached to it.



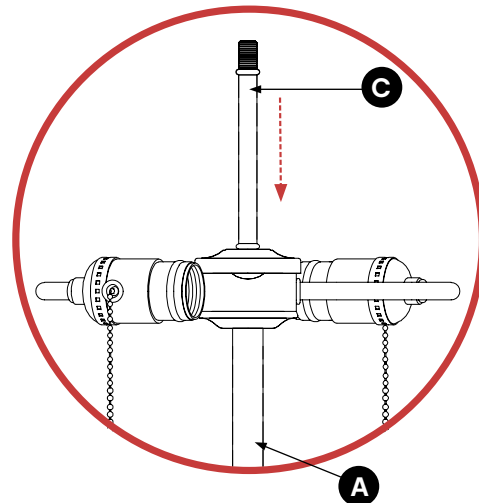
STEP 2

Secure the **CLUSTER (B)** on the **LAMP BASE/BODY (A)** and screw it until tightened.



STEP 3

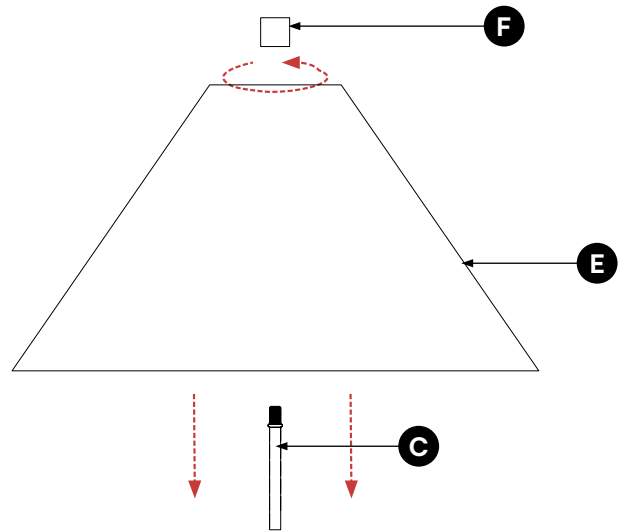
Insert the **PIPE (C)** into the **LAMP BASE/BODY (A)**.



JOON LOLOI

STEP 4

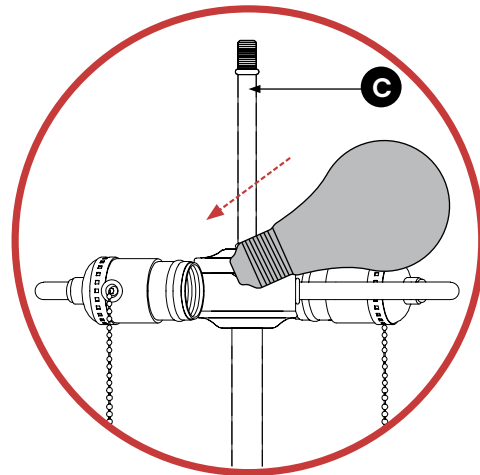
Place the **LAMP SHADE (E)** over the **PIPE (C)** and secure it with the **FINIAL (F)** until tightened.



STEP 5

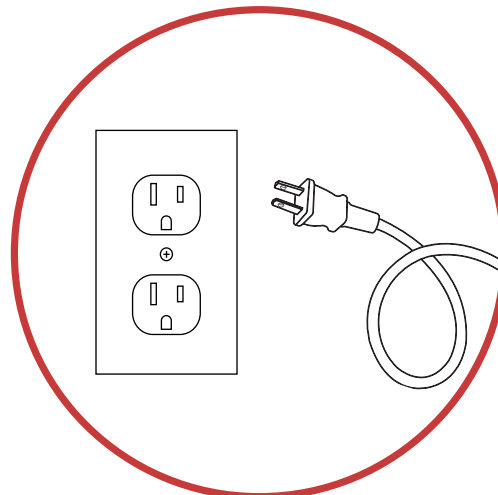
Insert **TWO (2) 60-Watt MAXIMUM TYPE A** standard medium base incandescent light bulb (not included) or **TWO (2) MAXIMUM 9-Watt LED** light bulb (not included).

DO NOT EXCEED THE SPECIFIED WATTAGE.



STEP 6

Plug the **CORD (G)** of the lamp into the proper electrical outlet and test this lamp. Now your assembly is complete.



CARE INSTRUCTIONS

Wipe clean with a soft, dry cloth or static duster.

Always avoid the use of harsh chemicals or abrasive cleaners as they may cause damage to the lamp's finish.