

Rennie Dual Sconce

LIGHTING

JOON LOLOI

⚠ CAUTION

BEFORE INSTALLING FIXTURE, MAKE SURE THE POWER TO THE CIRCUIT IS TURNED OFF AT THE MAIN FUSE BOX / CIRCUIT BREAKER UTILITY BOX.

⚠ IMPORTANT SAFETY INSTRUCTIONS

- These instructions are provided for your safety. It is very important that they are read carefully and completely before beginning the installation of this lighting fixture.
- We strongly recommend that a professional electrician install all direct wire fixtures.
- **THIS PRODUCT MUST BE INSTALLED IN ACCORDANCE WITH THE APPLICABLE INSTALLATION CODES BY A PERSON FAMILIAR WITH THE CONSTRUCTION AND OPERATION OF THE PRODUCT AND THE HAZARDS INVOLVED.**
- The lighting fixture is meant for indoor use. It must be connected only to 3 wire, single phase electrical supply systems (provided with Ground wire or equivalent protection).
- For your safety, it is strongly recommended that two people install the lighting fixture.
- To avoid the risk of fire, do not exceed the recommended lamp wattage.
- The lighting fixture is meant for indoor use, **DRY LOCATIONS ONLY.**
- Save these instructions.

⚠ WARNING

- **To reduce the risk of fire, electrical shock or personal injury, always turn off light fixture and allow it to cool prior to replacing light bulb.**
- **Do not touch bulb when fixture is turned on. Do not look directly at lit bulb.**
- **Keep flammable materials away from lit bulb.**
- **This lighting fixture contains lead, a chemical known to the State of California to cause cancer, birth defects and other reproductive harm. Wash hands after installing, handling, cleaning or otherwise touching this light fixture.**

PRE-ASSEMBLY INSTRUCTIONS

Remove all parts and hardware from box along with any plastic protective packaging.

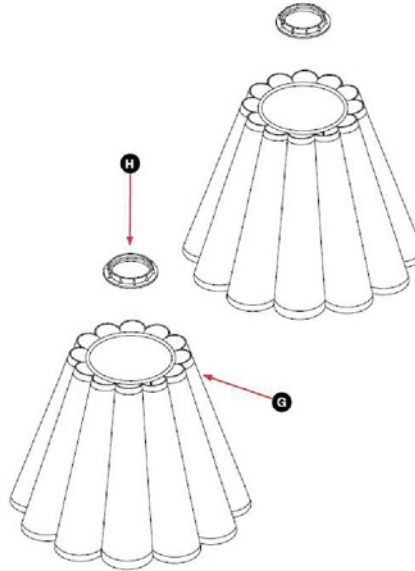
Do not discard any contents until after assembly is complete to avoid accidentally discarding small parts or hardware.

For your safety and convenience, assembly by two people is recommended.

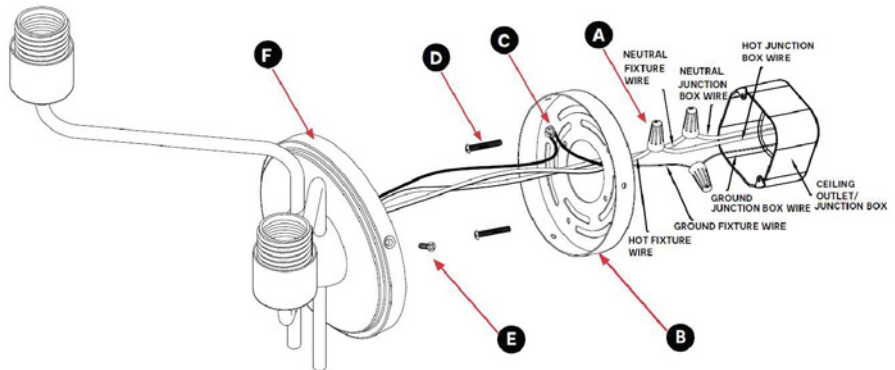
JOON LOLOI

PRE-ASSEMBLY INSTRUCTIONS CONTINUED

PARTS INVENTORY		
ID	DESCRIPTION	QTY
B	CROSSBAR	1
E	SCREWS	3
F	BACKPLATE	1
H	SOCKET RING	2



HARDWARE INVENTORY		
ID	DESCRIPTION	QTY
A	PLASTIC WIRE CONNECTORS	3
C	GREEN GROUND SCREW	1
D	J-BOX MOUNTAIN SCREWS	2
G	FIXTURE FABRIC SHADE	1



TOOLS REQUIRED (NOT INCLUDED)

Ladder, Philips Head & Flat Blade Screwdrivers, Pliers, Wire Cutter/Stripper & Electrical Tape.

ASSEMBLY INSTRUCTIONS

1. SHUT OFF THE MAIN ELECTRICAL SUPPLY FROM THE MAIN FUSE BOX/CIRCUIT BREAKER
2. Carefully unpack all fixture parts and hardware and lay them out on a clear workspace.
3. Attach the **MOUNTING PLATE (B)** to the wall outlet box using the **J-BOX MOUNTING SCREWS (D)**. Align the slots of the **MOUNTING PLATE (B)** with the two threaded holes located on the J-Box. Use a screwdriver to tighten each screw until the **MOUNTING PLATE (B)** is firmly secured to the J-Box.
4. Carefully inspect the wall fixture wires. The **NEUTRAL FIXTURE WIRE** has **FINE LONGITUDINAL RIDGES** running along its length. The **HOT FIXTURE WIRE** is **SMOOTH**, and the bare copper wire is the **GROUND WIRE**. If you have any doubt and cannot identify the power-supply wires with confidence, then we recommend that you ask an electrician and that you do not continue with the installation.
5. Gently pull existing wire down from the ceiling junction box and allow wires to hang. The **HOT** or **LIVE** wire is usually black. The **NEUTRAL** wire is usually white. Check to see if there is a ground wire that is usually green or green with a yellow stripe or exposed copper metal wire. If needed, use a pair of wire strippers to remove about 1/2 inch of insulation from each wire.
6. Attach the **GROUND WIRE** from the fixture to the **GROUND JUNCTION BOX WIRE** from the ceiling outlet junction box (J-box) (usually green insulation or bare wire). Fasten each together with a **PLASTIC WIRE CONNECTOR (A)** by twisting the connector in a clockwise direction and wrap the connection with electrical tape. Be sure that no wire strands are exposed. If your outlet junction box **DOES NOT** have a **GROUND WIRE**, be sure to insert the **GREEN GROUND SCREW (C)** into the **MOUNTING PLATE (B)**, marked as "GND", facing downward and wrap the fixture's bare ground wire around the **GREEN GROUND SCREW (C)**. Tighten screw to clamp ground wire between ground screw head and **MOUNTING PLATE (B)**. **IT IS IMPERATIVE THAT THE JUNCTION BOX IN YOUR HOME BE PROPERLY GROUNDED!**
7. Connect the **NEUTRAL FIXTURE WIRE** to the **NEUTRAL JUNCTION BOX WIRE** (usually white insulation). Fasten each together with a **PLASTIC WIRE CONNECTOR (A)** by twisting the connector in a clockwise direction and wrap the connection with electrical tape. Be sure that no wire strands are exposed.
8. Connect the **HOT FIXTURE WIRE** to the **HOT JUNCTION BOX WIRE** (usually black insulation). Fasten each together with a **PLASTIC WIRE CONNECTOR (A)** by twisting the connector in a clockwise direction and wrap the connection with electrical tape. Be sure that no wire strands are exposed. **DO NOT REVERSE THE HOT AND NEUTRAL CONNECTIONS OR SAFETY WILL BE COMPROMISED.**
9. Check the wiring connections and if all looks good, gently tuck the wire connections neatly into the wall outlet junction box.
10. After all connections are made, tuck wires into junction box and slip **BACKPLATE (F)** over **MOUNTING PLATE (B)** and align the three threaded holes which located at the **BACKPLATE (F)**.
11. Thread in **SCREWS (E)** and tighten to secure fixture to wall.
12. Place the **FIXTURE FABRIC SHADE (G)** over the socket and secure it with the **SOCKET RING (H)** until tightened.

JOON LOLOI

ASSEMBLY INSTRUCTIONS CONTINUED

13. Insert TWO(2) 40-Watt MAXIMUM standard medium base incandescent light bulb (not included) or TWO (2) MAXIMUM 9-Watt self-ballasted light bulb (not included) or TWO (2) MAXIMUM 6-Watt SBLED light bulb (not included). **DO NOT EXCEED SPECIFIED WATTAGE.**
14. Restore power to ceiling outlet junction box and test fixture.
15. Installation is complete.

CARE INSTRUCTIONS

- Wipe clean with a soft, dry cloth or static duster.
- Always avoid the use of harsh chemicals or abrasive cleaners as they may cause damage to the fixture's finish.